



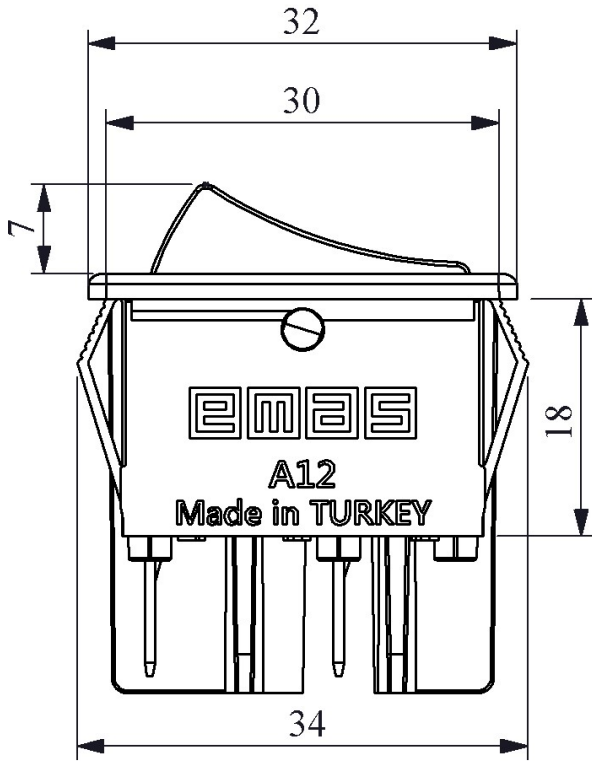
### A12B1H10

Connection Type		with Terminal
Print		(0-I) Marked
Product		Rocker Switch
Contact		1NO+1NO
Color		Black
Illumination		w/o Illumination
Dia		30*22mm
Current	<b>I<sub>e</sub></b>	16 A (250V AC)
Usage Category		AC15
Mechanical Life	<b>Min Qty</b>	50000
Electrical Life	<b>Min Qty</b>	50000
Operating Frequency	<b>On-Off/Hour</b>	Mech.900 Elec.900
Insulation Voltage	<b>U<sub>i</sub></b>	300 V
Impulse Withstand Voltage	<b>U<sub>imp</sub></b>	2.5 kV
Dielectric Strength (Body-Contact)		2.500V AC
Dielectric Strength (Contact-Contact)		1.500V AC
Isolation Resistance		10 MΩ min. (500V DC)
Operating Temperature		-25 / +80 °C
Pollution Degree		3
Protection Degree		IP20
Contact Material		AgNi
Cable Section		Terminal 6,3*0,8 mm
Short Circuit Breaking Capacity	<b>I<sub>cs</sub></b>	1 kA
Serial		A12 Series
Body Color		Black Body
Specifications		With or w/o illumination options
		Four different color options
		Black or white body

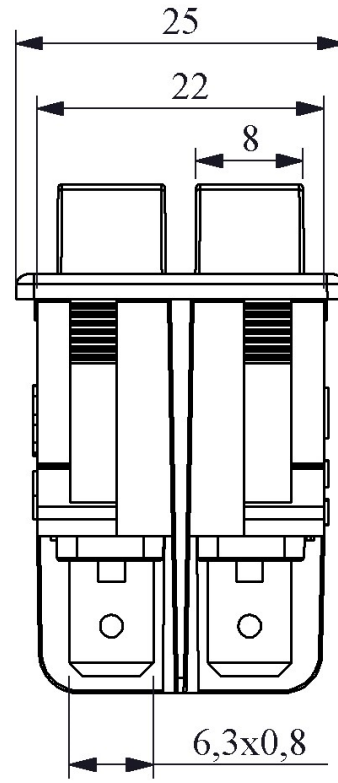
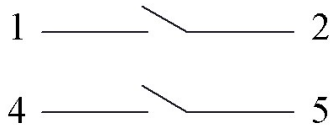
Snap action

Standards / Certificates TS EN 61058-1





Devre Şeması



Montaj Ölçüsü 30,2x22,2 mm