



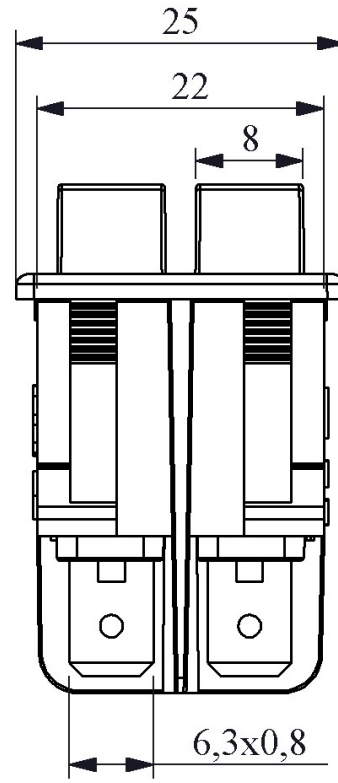
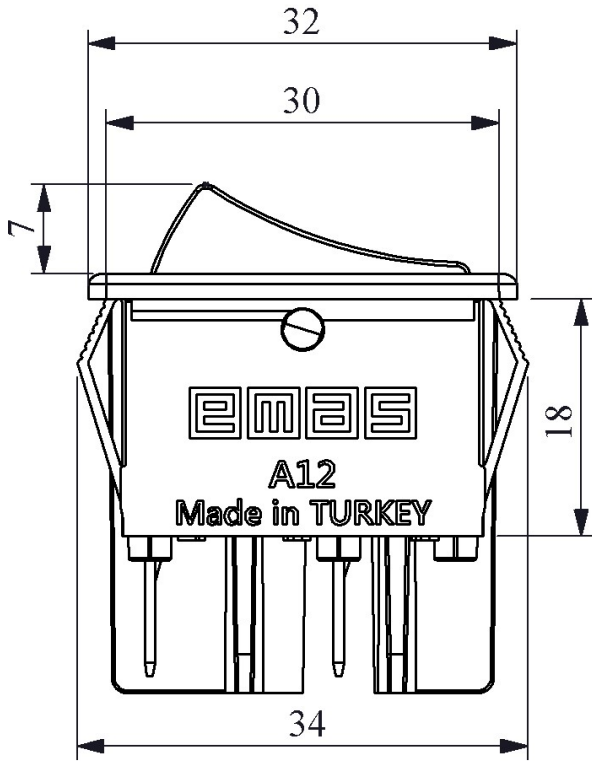
A12B1K10

Connection Type	with Terminal	
Print	(0-I) Marked	
Product	Rocker Switch	
Contact	1NO+1NO	
Color	Red	
Illumination	w/o Illumination	
Dia	30*22mm	
Current	I_e	16 A (250V AC)
Usage Category	AC15	
Mechanical Life	Min Qty	50000
Electrical Life	Min Qty	50000
Operating Frequency	On-Off/Hour	Mech.900 Elec.900
Insulation Voltage	U_i	300 V
Impulse Withstand Voltage	U_{imp}	2.5 kV
Dielectric Strength (Body-Contact)	2.500V AC	
Dielectric Strength (Contact-Contact)	1.500V AC	
Isolation Resistance	10 MΩ min. (500V DC)	
Operating Temperature	-25 / +80 °C	
Pollution Degree	3	
Protection Degree	IP20	
Contact Material	AgNi	
Cable Section	Terminal 6,3*0,8 mm	
Short Circuit Breaking Capacity	I_{cs}	1 kA
Serial	A12 Series	
Body Color	Black Body	
Specifications	With or w/o illumination options	
	Four different color options	
	Black or white body	

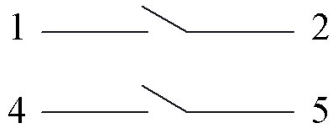
Snap action

Standards / Certificates TS EN 61058-1





Devre Şeması



Montaj Ölçüsü 30,2x22,2 mm