



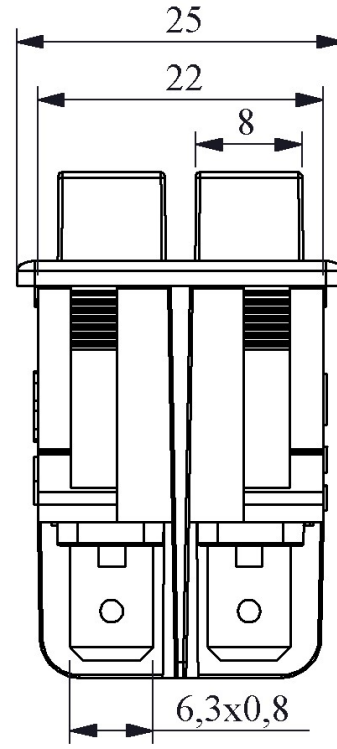
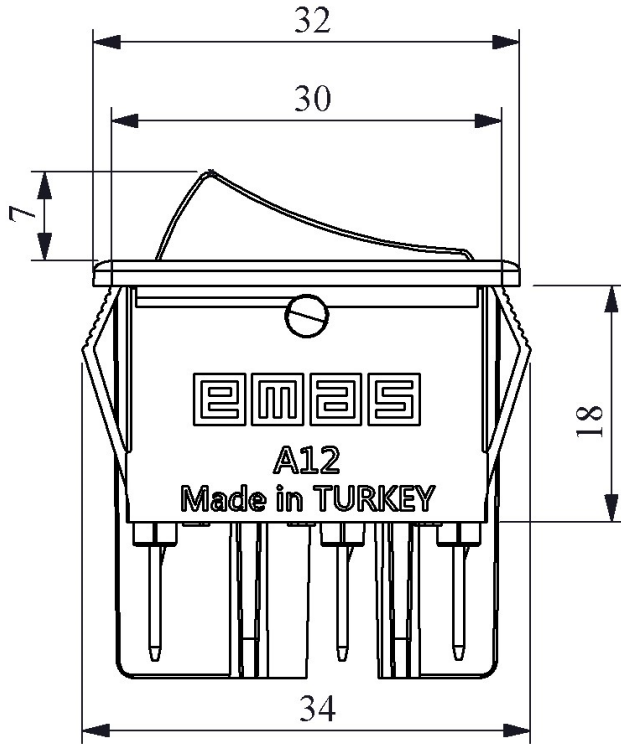
### A12B1S11

Connection Type	with Terminal	
Print	(0-I) Marked	
Product	Rocker Switch	
Contact	1NO+1NO	
Color	Yellow	
Illumination	with Illumination	
Dia	30*22mm	
Current	<b>I<sub>e</sub></b>	16 A (250V AC)
Usage Category	AC15	
Mechanical Life	<b>Min Qty</b>	50000
Electrical Life	<b>Min Qty</b>	50000
Operating Frequency	<b>On-Off/Hour</b>	Mech.900 Elec.900
Insulation Voltage	<b>U<sub>i</sub></b>	300 V
Impulse Withstand Voltage	<b>U<sub>imp</sub></b>	2.5 kV
Dielectric Strength (Body-Contact)	2.500V AC	
Dielectric Strength (Contact-Contact)	1.500V AC	
Isolation Resistance	10 MΩ min. (500V DC)	
Operating Temperature	-25 / +80 °C	
Pollution Degree	3	
Protection Degree	IP20	
Contact Material	AgNi	
Cable Section	Terminal 6,3*0,8 mm	
Short Circuit Breaking Capacity	<b>I<sub>cs</sub></b>	1 kA
Serial	A12 Series	
Body Color	Black Body	
Specifications	With or w/o illumination options	
	Four different color options	
	Black or white body	

Snap action

Standards / Certificates TS EN 61058-1





Devre Şeması

Montaj Ölçüsü 30,2x22,2 mm

