

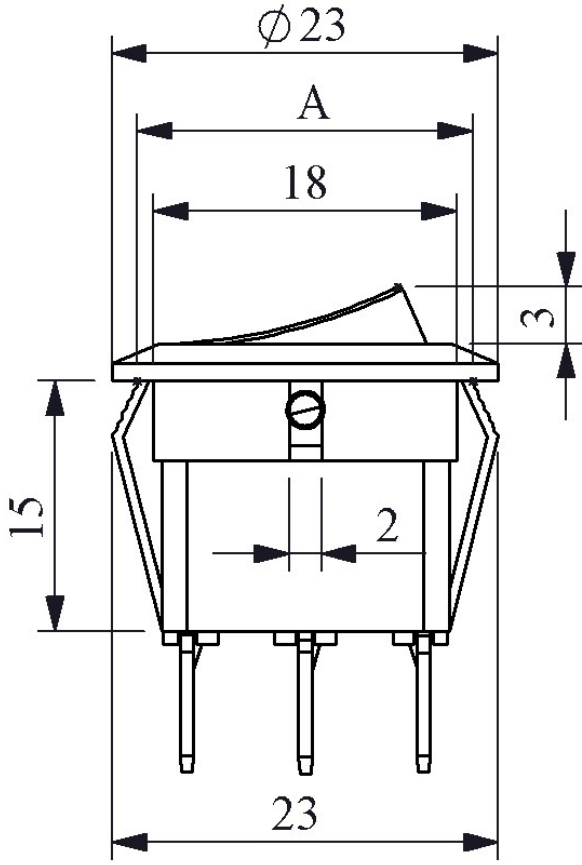

A71B1K11

| | |
|--|------------------------------------|
| Product | Rocker Switch |
| Serial | A71 Series |
| Connection / Nominal Dimension | 20mm |
| Body Color | Black Body |
| Contact | 1NO |
| Illumination | with Illumination |
| Connection Type | with Terminal |
| Print | (0-I) Marked |
| Color | Red |
| Current | I_e 6 A (250V AC) |
| Usage Category | AC15 |
| Mechanical Life (Min Qty) | 10000 |
| Electrical Life (Min Qty) | 10000 |
| Operating Frequency (On-Off/Hour) | Mech.900 Elec.900 |
| Insulation Voltage (U_i) | 300 V |
| Impulse Withstand Voltage (U_{imp}) | 2.5 kV |
| Dielectric Strength (Body-Contact) | 2.500V AC |
| Dielectric Strength (Contact-Contact) | 1.500V AC |
| Isolation Resistance | 10 MΩ min. (500V DC) |
| Operating Temperature | -25 / +80 °C |
| Pollution Degree | 1 |
| Protection Degree | IP20 |
| Contact Material | AgNi |
| Cable Section | Terminal 4,8*0,8 mm |
| | 1 kA |
| Specifications | With or w/o illumination options |

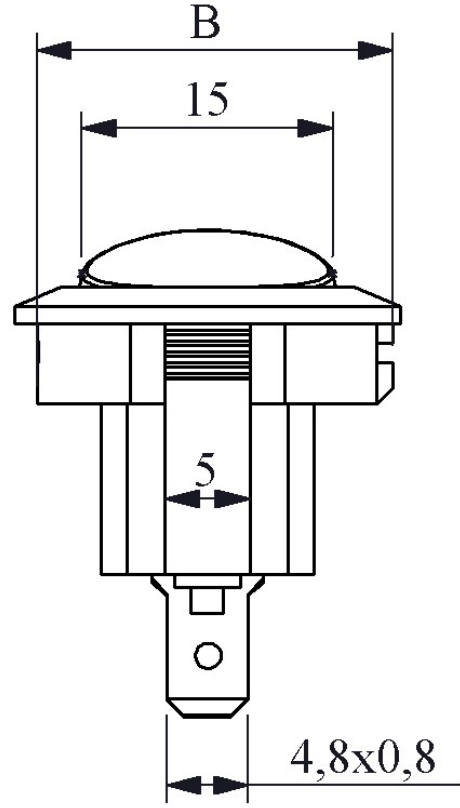
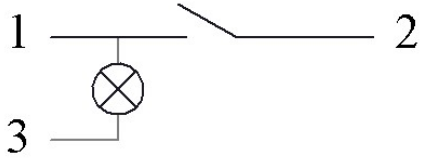
Black or white body and 4 colour button options

Standards / Certificates TS EN 61058-1





Devre Şeması



Montaj Ölçüleri

$\phi 20,2$ mm
A:20,5 mm
B:21 mm