

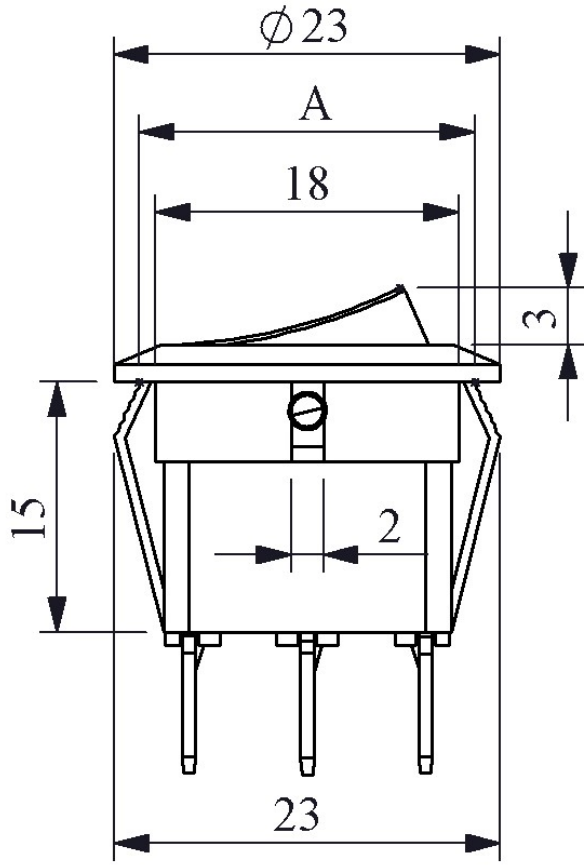

A71B1Y11

Connection Type		with Terminal
Print		(0-I) Marked
Product		Rocker Switch
Contact		1NO
Color		Green
Illumination		with Illumination
Dia		20mm
Current	I_e	6 A (250V AC)
Usage Category		AC15
Mechanical Life	Min Qty	10000
Electrical Life	Min Qty	10000
Operating Frequency	On-Off/Hour	Mech.900 Elec.900
Insulation Voltage	U_i	300 V
Impulse Withstand Voltage	U_{imp}	2.5 kV
Dielectric Strength (Body-Contact)		2.500V AC
Dielectric Strength (Contact-Contact)		1.500V AC
Isolation Resistance		10 MΩ min. (500V DC)
Operating Temperature		-25 / +80 °C
Pollution Degree		1
Protection Degree		IP20
Contact Material		AgNi
Cable Section		Terminal 4,8*0,8 mm
Short Circuit Breaking Capacity	I_{cs}	1 kA
Serial		A71 Series
Body Color		Black Body
Specifications		With or w/o illumination options
		Four different color options
		Black or white body

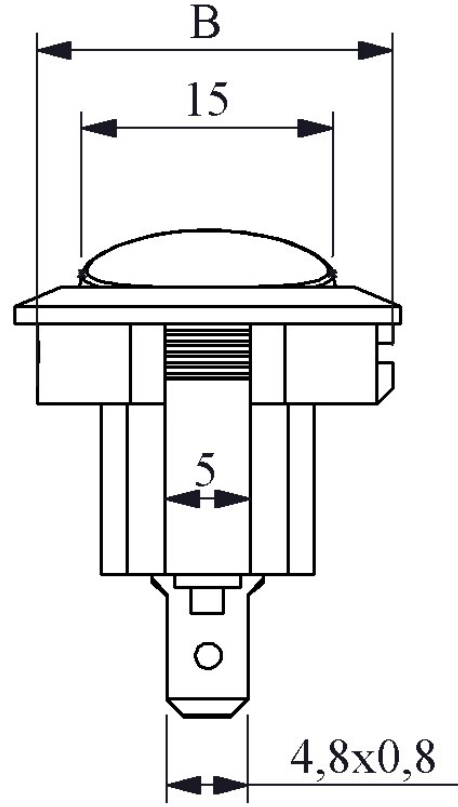
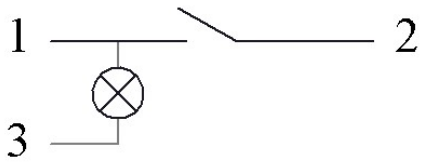
Snap action

Standards / Certificates TS EN 61058-1





Devre Şeması



Montaj Ölçüleri

$\phi 20,2$ mm

A:20,5 mm

B:21 mm