

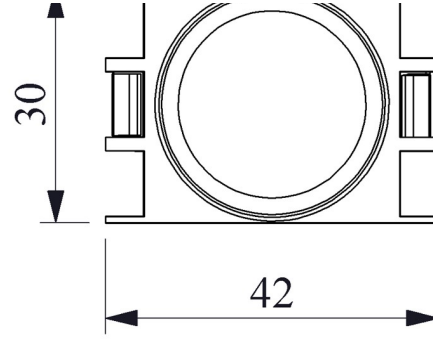
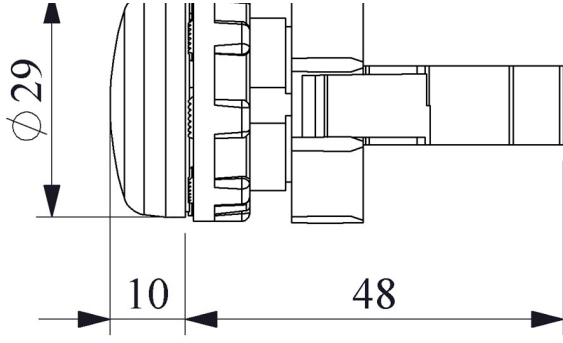


B030XB

| | | |
|--------------------------|----|--|
| Product | | Pilot |
| Color | | White |
| Illumination | | with Ba9S Lampholder |
| Dia | | 22 mm |
| Insulation Voltage | Ui | 300V |
| Operating Temperature | | -15 / + 80 °C |
| Pollution Degree | | 3 |
| Protection Degree | | IP50 |
| Cable Section | | 1.5-2.5 mm ² |
| Screw Torque | | 1,5 Nm |
| Lampholder Type | | Ba9S |
| Production Time | | 31.12.1899 00:00:00 |
| Serial | | B Series Plastic |
| Specifications | | Non-flammable V0 PA6.6 contact blocks |
| | | Various illumination contact blocks availability |
| | | Variety of products for all areas of application |
| Standards / Certificates | | TS EN 60947-5-1 |







Devre Şeması

Montaj Ölçüsü $\phi 22.4 \pm 0.2$ mm

