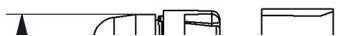


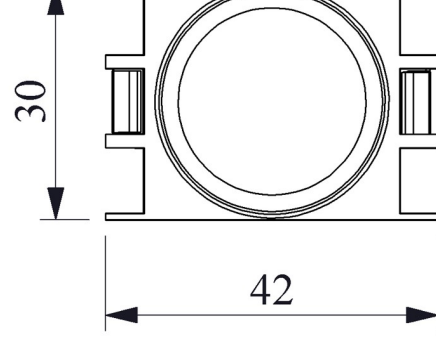
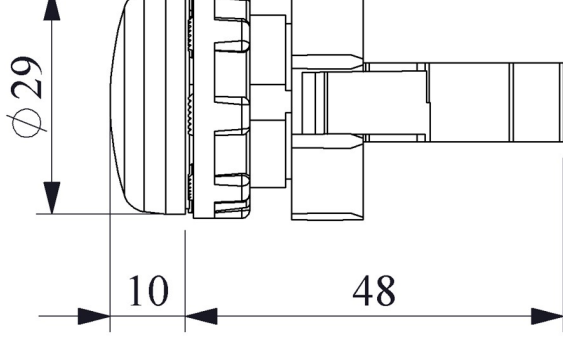


B030XK

Product		Pilot
Color		Red
Illumination		with Ba9S Lampholder
Dia		22 mm
Insulation Voltage	Ui	300V
Operating Temperature		-15 / + 80 °C
Pollution Degree		3
Protection Degree		IP50
Cable Section		1.5-2.5 mm ²
Screw Torque		1,5 Nm
Lampholder Type		Ba9S
Production Time		31.12.1899 00:00:00
Serial		B Series Plastic
Specifications		Non-flammable V0 PA6.6 contact blocks
		Various illumination contact blocks availability
		Variety of products for all areas of application
Standards / Certificates		TS EN 60947-5-1







Devre Şeması

Montaj Ölçüsü $\phi 22.4 \pm 0.2$ mm

