



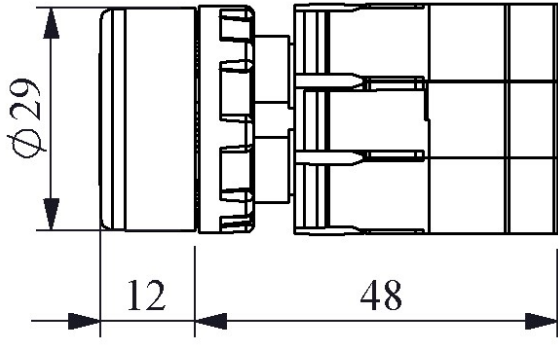


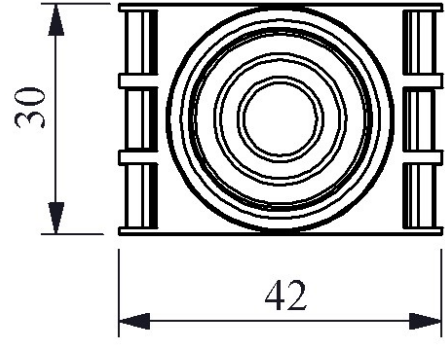
**B1Y1FY**

Operating Current		5-15 mA
Operational Frequency		50 Hz
Operational Voltage		100-230V AC
Product		Control Unit
Model		Spring
Type		Stay Put
Contact		2NO
Color		Green
Illumination		with LED
Dia		22 mm
Current	<b>Ie</b>	4 A (250V AC)
Usage Category		AC 15
Power Consumption		<4 VA
Mechanical Life	<b>Min Qty</b>	500000
Electrical Life	<b>Min Qty</b>	100000
Operating Frequency	<b>On-Off/Hour</b>	Mech. 1200 Elec. 1200
Insulation Voltage	<b>Ui</b>	300V
Impulse Withstand Voltage	<b>Uimp</b>	2.5 kV
Dielectric Strength (Body-Contact)		2.500V AC
Dielectric Strength (Contact-Contact)		1.500V AC
Isolation Resistance		10 MΩ min. (500V DC)
Operating Temperature		-15 / + 70 °C
Pollution Degree		3
Protection Degree		IP50
Contact Material		AgNi
Cable Section		1.5-2.5 mm <sup>2</sup>
Screw Torque		1,5 Nm
Short Circuit Breaking Capacity	<b>Ics</b>	1 kA

<b>Production Time</b>	31.12.1899 00:00:00
<b>Serial</b>	B Series Plastic
<b>Specifications</b>	Non-flammable V0 PA6.6 contact blocks
	Various illumination contact blocks availability
	Variety of products for all areas of application
<b>Standards / Certificates</b>	IEC 60947-5-1 TS EN 60947-5-1 UL 508 VDE 0660
   	



Montaj Ölçüsü  $\text{Ø}22.4 \pm 0.2 \text{ mm}$



Devre Şeması

