

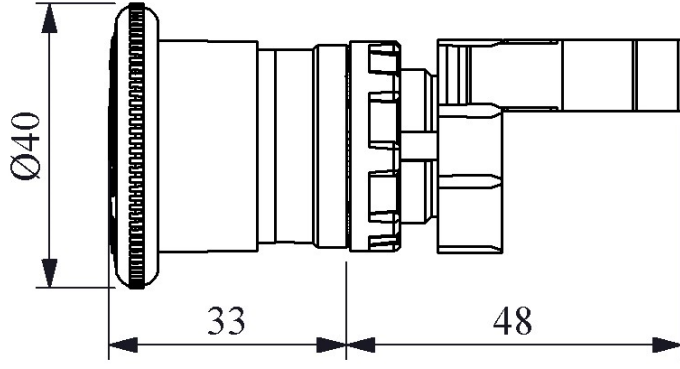

**B200EG**

Product		Control Unit
Model		Emergency
Type		Turn to Release with Position Curser
Contact		1NC
Color		Red
Dia		22 mm
Head Dia		40 mm
Current	<b>I<sub>e</sub></b>	4 A (250V AC)
Usage Category		AC 15
Mechanical Life	<b>Min Qty</b>	500000
Electrical Life	<b>Min Qty</b>	100000
Operating Frequency	<b>On-Off/Hour</b>	Mech. 1200 Elec. 1200
Insulation Voltage	<b>U<sub>i</sub></b>	300V
Impulse Withstand Voltage	<b>U<sub>imp</sub></b>	2.5 kV
Dielectric Strength (Body-Contact)		2.500V AC
Dielectric Strength (Contact-Contact)		1.500V AC
Isolation Resistance		10 MΩ min. (500V DC)
Operating Temperature		-15 / + 80 °C
Pollution Degree		3
Protection Degree		IP50
Contact Material		AgNi
Cable Section		1.5-2.5 mm <sup>2</sup>
Screw Torque		1,5 Nm
Short Circuit Breaking Capacity	<b>I<sub>cs</sub></b>	1 kA
Production Time		31.12.1899 00:00:00
Serial		B Series Plastic
Specifications		Non-flammable V0 PA6.6 contact blocks
		Various illumination contact blocks availability

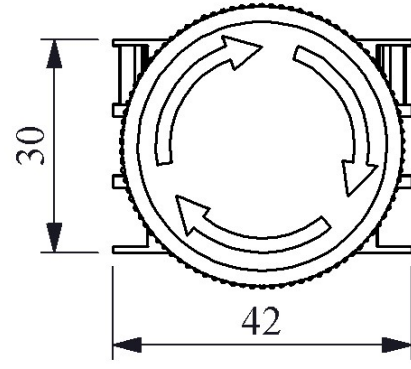
Variety of products for all areas of application

**Standards / Certificates** IEC 60947-5-1 TS EN 60947-5-1 UL 508 VDE 0660





Montaj Ölçüsü  $\text{Ø}22.4 \pm 0.2 \text{ mm}$



Devre Şeması

