

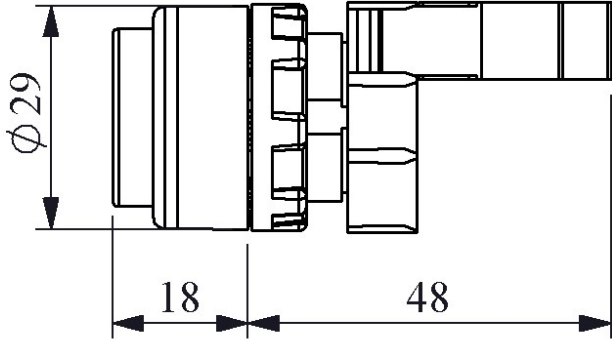


B200HK

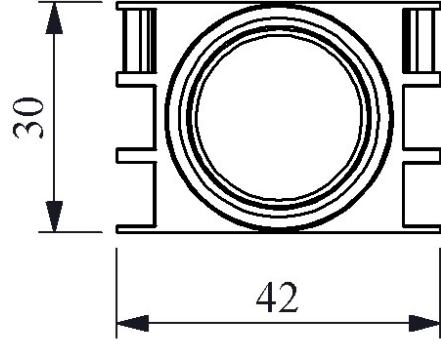
| | | |
|---------------------------------------|--------------------|--|
| Product | | Control Unit |
| Model | | Spring |
| Type | | Extended |
| Contact | | 1NC |
| Color | | Red |
| Dia | | 22 mm |
| Current | Ie | 4 A (250V AC) |
| Usage Category | | AC 15 |
| Mechanical Life | Min Qty | 500000 |
| Electrical Life | Min Qty | 100000 |
| Operating Frequency | On-Off/Hour | Mech. 3000 Elec. 1200 |
| Insulation Voltage | Ui | 300V |
| Impulse Withstand Voltage | Uimp | 2.5 kV |
| Dielectric Strength (Body-Contact) | | 2.500V AC |
| Dielectric Strength (Contact-Contact) | | 1.500V AC |
| Isolation Resistance | | 10 MΩ min. (500V DC) |
| Operating Temperature | | -15 / + 80 °C |
| Pollution Degree | | 3 |
| Protection Degree | | IP50 |
| Contact Material | | AgNi |
| Cable Section | | 1.5-2.5 mm ² |
| Screw Torque | | 1,5 Nm |
| Short Circuit Breaking Capacity | Ics | 1 kA |
| Production Time | | 31.12.1899 00:00:00 |
| Serial | | B Series Plastic |
| Specifications | | Non-flammable V0 PA6.6 contact blocks |
| | | Various illumination contact blocks availability |
| | | Variety of products for all areas of application |

Standards / Certificates IEC 60947-5-1 TS EN 60947-5-1 UL 508 VDE 0660





Montaj Ölçüsü $\text{Ø}22.4 \pm 0.2 \text{ mm}$



Devre Şeması

