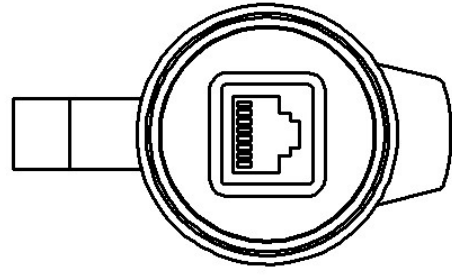
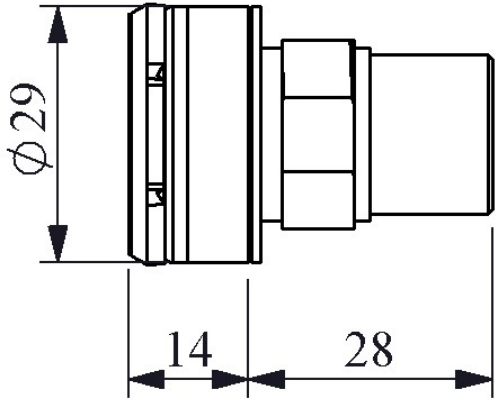




BRJ45

Product	RJ45
Type	Female Female
Dia	22 mm
Current	I_e 1,5 A
Dielectric Strength (Body-Contact)	1000 Vrms
Dielectric Strength (Contact-Contact)	1000 Vrms
Isolation Resistance	500 MΩ
Operating Temperature	-25 / + 85 °C
Pollution Degree	3
Protection Degree	IP65
Contact Resistance	50 mΩ
Production Time	31.12.1899 00:00:00
Serial	B Series Plastic
Enclosure	500
Specifications	Non-flammable V0 PA6.6
	IP65 protection from front side





Montaj Ölçüsü $\phi 22.4 \pm 0.2$ mm