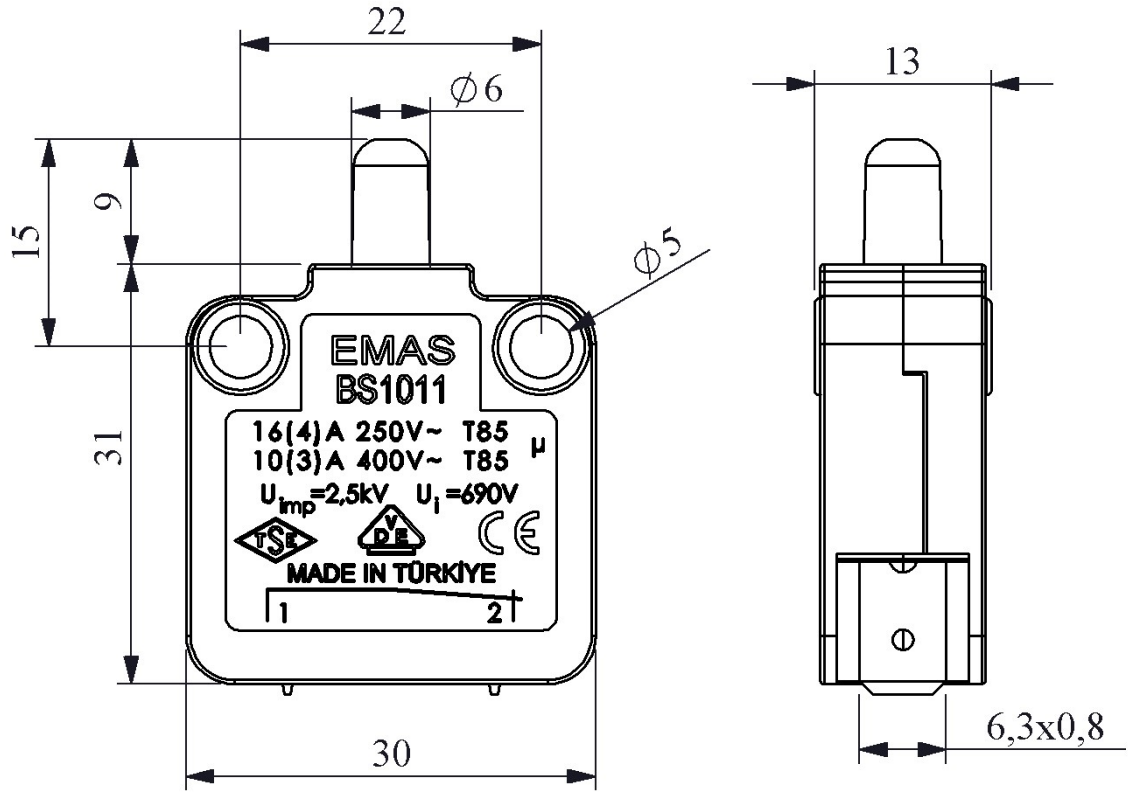


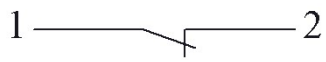


BS1011

Product	Button Switch	
Serial	BS Series	
Action	Snap Action	
Contact	1NC	
Current	I_e	6 A (250V AC)
Usage Category	AC15	
Mechanical Life (Min Qty)	1000000	
Electrical Life (Min Qty)	100000	
Operating Frequency (On-Off/Hour)	Mech. 3000 Elec. 900	
Insulation Voltage (U _i)	690V	
Impulse Withstand Voltage (U _{imp})	2.5 kV	
Dielectric Strength (Body-Contact)	1.890V AC	
Dielectric Strength (Contact-Contact)	1.890V AC	
Isolation Resistance	10 MΩ min. (500V DC)	
Operating Temperature	-25 / +80 °C	
Pollution Degree	3	
Protection Degree	IP40	
Contact Material	AgNi	
Cable Section	Terminal 6,3*0,8 mm	
	1 kA	
Specifications	V0 material	
	Snap or slow action contact block type	
Standards / Certificates	TS EN 60947-5-1 VDE 0660	



Devre Şeması



Ani Hareketli