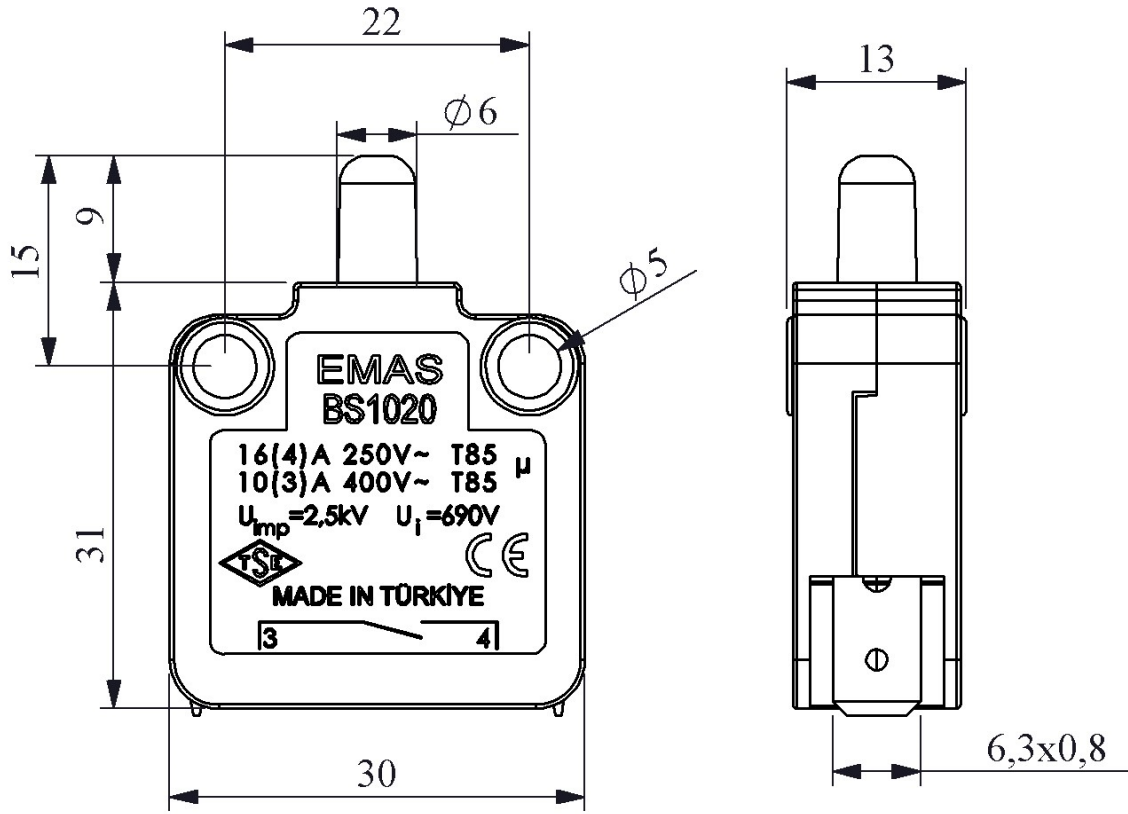




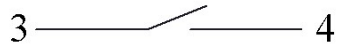
### BS1020

Product	Button Switch	
Contact	1NC	
Current	<b>I<sub>e</sub></b>	6 A (250V AC)
Usage Category	AC15	
Mechanical Life	<b>Min Qty</b>	1000000
Electrical Life	<b>Min Qty</b>	100000
Operating Frequency	<b>On-Off/Hour</b>	Mech. 3000 Elec. 900
Insulation Voltage	<b>U<sub>i</sub></b>	690V
Impulse Withstand Voltage	<b>U<sub>imp</sub></b>	2.5 kV
Dielectric Strength (Body-Contact)	1.890V AC	
Dielectric Strength (Contact-Contact)	1.890V AC	
Isolation Resistance	10 MΩ min. (500V DC)	
Operating Temperature	-25 / +80 °C	
Pollution Degree	3	
Protection Degree	IP40	
Contact Material	AgNi	
Cable Section	Terminal 6,3*0,8 mm	
Short Circuit Breaking Capacity	<b>I<sub>cs</sub></b>	1 kA
Serial	BS Series	
Action	Slow Action	
Specifications	Maximum product reliability with V0 material	
	Snap or slow action	
Standards / Certificates	TS EN 60947-5-1 VDE 0660	





Devre Şeması



Yavaş Hareketli