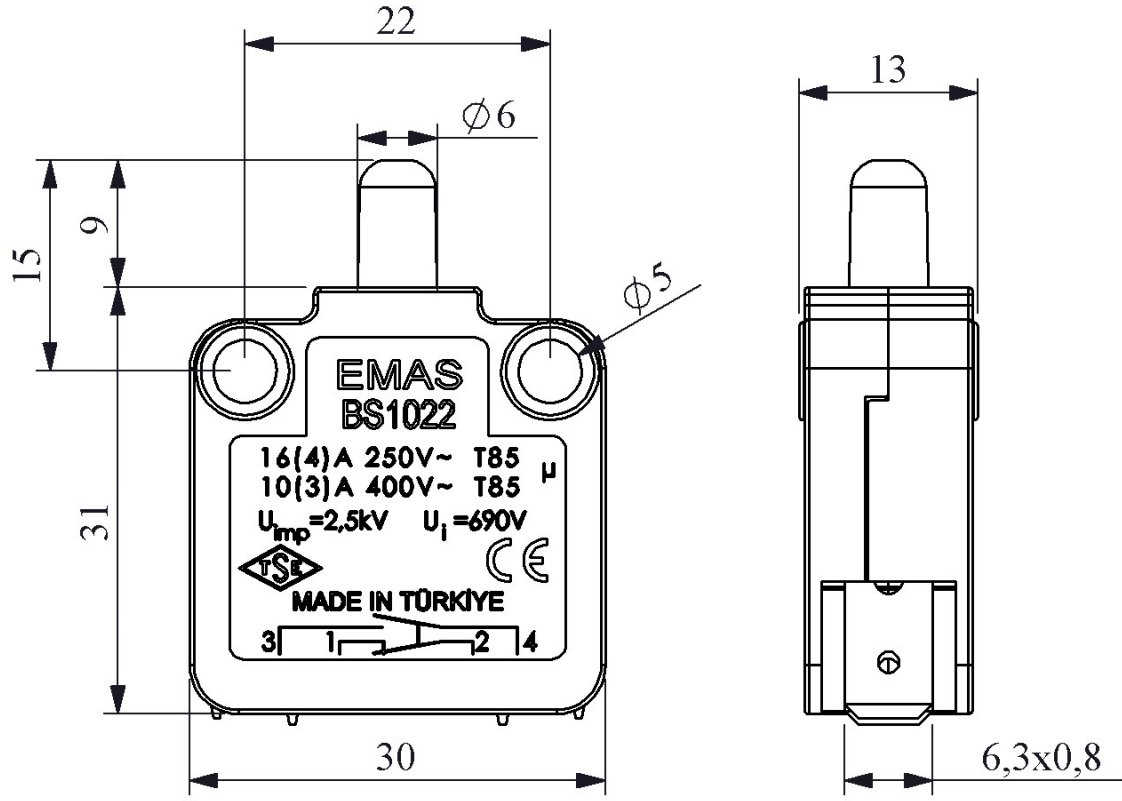




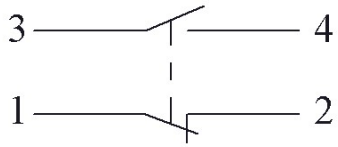
### BS1022

<b>Product</b>	Button Switch
<b>Serial</b>	BS Series
<b>Action</b>	Slow Action
<b>Contact</b>	1NO+1NC
<b>Current</b>	<b>I<sub>e</sub></b> 6 A (250V AC)
<b>Usage Category</b>	AC15
<b>Mechanical Life (Min Qty)</b>	1000000
<b>Electrical Life (Min Qty)</b>	100000
<b>Operating Frequency (On-Off/Hour)</b>	Mech. 3000 Elec. 900
<b>Insulation Voltage (U<sub>i</sub>)</b>	690V
<b>Impulse Withstand Voltage (U<sub>imp</sub>)</b>	2.5 kV
<b>Dielectric Strength (Body-Contact)</b>	1.890V AC
<b>Dielectric Strength (Contact-Contact)</b>	1.890V AC
<b>Isolation Resistance</b>	10 MΩ min. (500V DC)
<b>Operating Temperature</b>	-25 / +80 °C
<b>Pollution Degree</b>	3
<b>Protection Degree</b>	IP40
<b>Contact Material</b>	AgNi
<b>Cable Section</b>	Terminal 6,3*0,8 mm
	1 kA
<b>Specifications</b>	V0 material
	Snap or slow action contact block type
<b>Standards / Certificates</b>	TS EN 60947-5-1 VDE 0660





### Devre Şeması



### Yavaş Hareketli