



CM100DK

Product		Control Unit
Model		Spring
Type		Flush
Contact		1NO
Color		Red
Dia		22 mm
Current	Ie	4 A (230V AC)
Usage Category		AC 15
Mechanical Life	Min Qty	500000
Electrical Life	Min Qty	100000
Operating Frequency	On-Off/Hour	Mech. 1200 Elec. 1200
Insulation Voltage	Ui	300V
Impulse Withstand Voltage	Uimp	2.5 kV
Dielectric Strength (Body-Contact)		2.500V AC
Dielectric Strength (Contact-Contact)		1.500V AC
Isolation Resistance		10 MΩ min. (500V DC)
Operating Temperature		-15 / + 65 °C
Pollution Degree		3
Protection Degree		IP65
Contact Material		AgNi
Cable Section		1.5-2.5 mm ²
Screw Torque		1,5 Nm
Short Circuit Breaking Capacity	Ics	1 kA
Production Time		31.12.1899 00:00:00
Serial		CM Series Metal
Specifications	Die cast metal construction for harsh environment, corrosion-resistant chromate plating	
	Non-flammable V0 PA6.6 contact blocks	

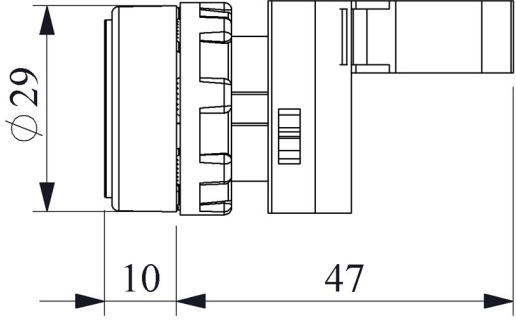
Various illumination contact blocks availability

Variety of products for all areas of application

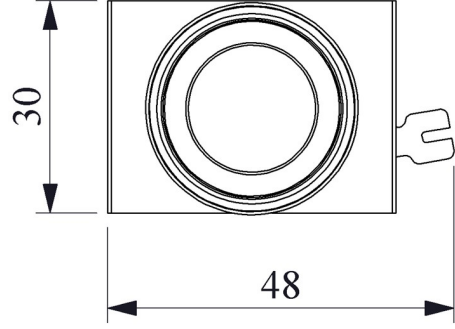
IP65 protection from front side

Standards / Certificates IEC 60947-5-1 TS EN 60947-5-1 UL 508 VDE 0660





Montaj Ölçüsü $\text{Ø}22.4 \pm 0.2 \text{ mm}$



Devre Şeması

3 ——— / ——— 4