



### CM102K20KY

<b>Product</b>	Control Unit	
<b>Model</b>	Double	
<b>Type</b>	Flush	
<b>Contact</b>	1NO+1NC	
<b>Color</b>	Red-Green	
<b>Dia</b>	22 mm	
<b>Current</b>	<b>Ie</b>	4 A (230V AC)
<b>Usage Category</b>	AC 15	
<b>Mechanical Life</b>	<b>Min Qty</b>	500000
<b>Electrical Life</b>	<b>Min Qty</b>	100000
<b>Operating Frequency</b>	<b>On-Off/Hour</b>	Mech. 1200 Elec. 1200
<b>Insulation Voltage</b>	<b>Ui</b>	300V
<b>Impulse Withstand Voltage</b>	<b>Uimp</b>	2.5 kV
<b>Dielectric Strength (Body-Contact)</b>	2.500V AC	
<b>Dielectric Strength (Contact-Contact)</b>	1.500V AC	
<b>Isolation Resistance</b>	10 MΩ min. (500V DC)	
<b>Operating Temperature</b>	-15 / + 65 °C	
<b>Pollution Degree</b>	3	
<b>Protection Degree</b>	IP65	
<b>Contact Material</b>	AgNi	
<b>Cable Section</b>	1.5-2.5 mm <sup>2</sup>	
<b>Screw Torque</b>	1,5 Nm	
<b>Short Circuit Breaking Capacity</b>	<b>Ics</b>	1 kA
<b>Production Time</b>	31.12.1899 00:00:00	
<b>Serial</b>	CM Series Metal	
<b>Specifications</b>	Die cast metal construction for harsh environment, corrosion-resistant chromate plating	
	Non-flammable V0 PA6.6 contact blocks	

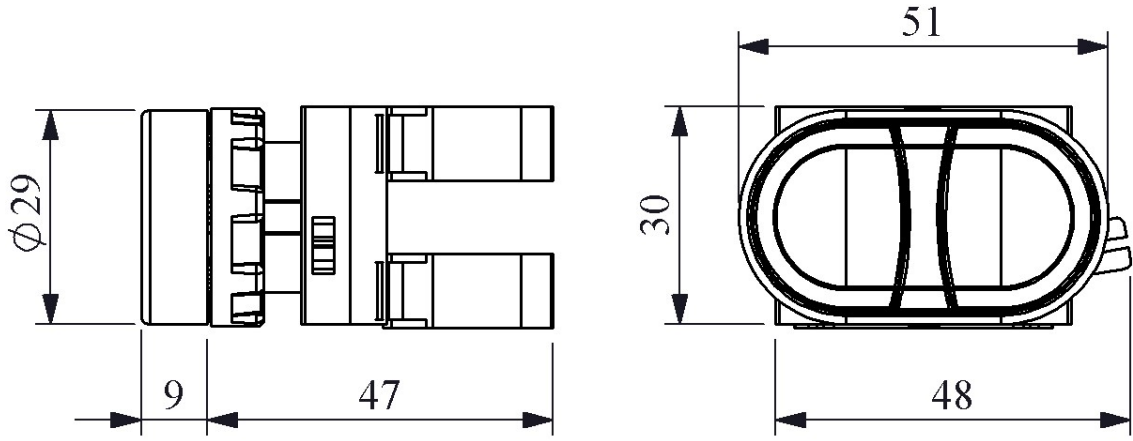
Various illumination contact blocks availability

Variety of products for all areas of application

IP65 protection from front side

**Standards / Certificates** IEC 60947-5-1 TS EN 60947-5-1 UL 508 VDE 0660





Montaj Ölçüsü  $\phi 22.4 \pm 0.2$  mm

Devre Şeması

