

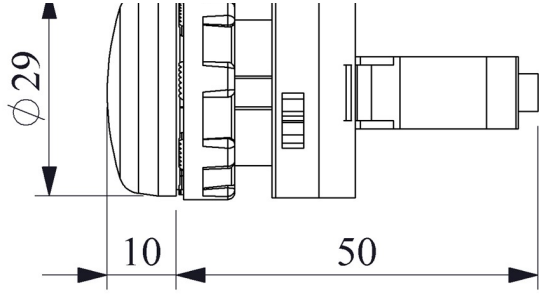


**CP060XK**

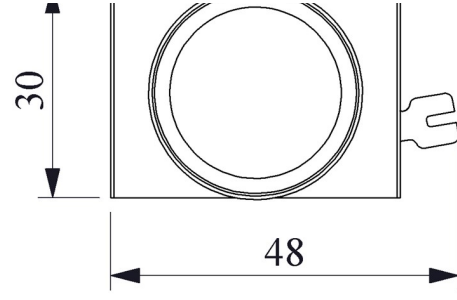
<b>Operating Current</b>		5-20 mA (12-30V AC/DC)
<b>Operational Frequency</b>		50 Hz
<b>Operational Voltage</b>		12-30V AC/DC
<b>Product</b>		Pilot
<b>Color</b>		Red
<b>Illumination</b>		with LED
<b>Dia</b>		22 mm
<b>Power Consumption</b>		0.7 W
<b>Insulation Voltage</b>	<b>Ui</b>	300V
<b>Operating Temperature</b>		-15 / + 65 °C
<b>Pollution Degree</b>		3
<b>Protection Degree</b>		IP50
<b>Cable Section</b>		1.5-2.5 mm <sup>2</sup>
<b>Screw Torque</b>		1,5 Nm
<b>Production Time</b>		31.12.1899 00:00:00
<b>Serial</b>		CP Series Plastic
<b>Electrical Life</b>	<b>Min Hour</b>	10000
<b>Specifications</b>		Non-flammable V0 PA6.6 contact blocks
		Various illumination contact blocks availability
		Variety of products for all areas of application
		IP65 protection from front side
<b>Standards / Certificates</b>		TS EN 60947-5-1







Montaj Ölçüsü  $\phi 22.4 \pm 0.2$  mm



Devre Şeması

