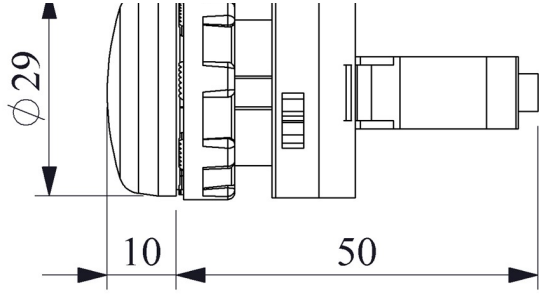


CPOX0XK

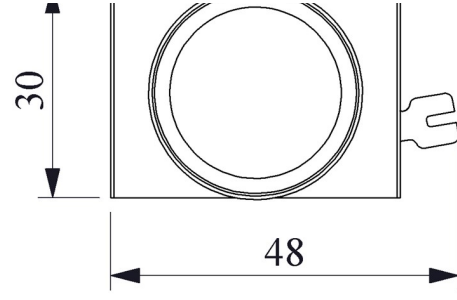
Operating Current		6-10 mA
Operational Frequency		50 Hz
Operational Voltage		48V AC/DC
Product		Pilot
Color		Red
Illumination		with LED
Dia		22 mm
Power Consumption		0.5 W
Insulation Voltage	Ui	300V
Operating Temperature		-15 / + 65 °C
Pollution Degree		3
Protection Degree		IP50
Cable Section		1.5-2.5 mm ²
Screw Torque		1,5 Nm
Production Time		31.12.1899 00:00:00
Serial		CP Series Plastic
Electrical Life	Min Hour	10000
Specifications		Non-flammable V0 PA6.6 contact blocks
		Various illumination contact blocks availability
		Variety of products for all areas of application
		IP65 protection from front side
Standards / Certificates		TS EN 60947-5-1







Montaj Ölçüsü $\phi 22.4 \pm 0.2$ mm



Devre Şeması

