



CP102K21HB

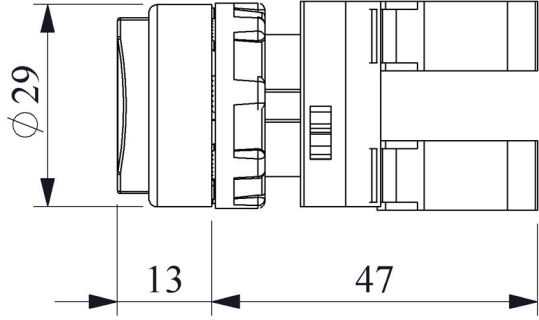
| | | |
|--|--|-----------------------|
| Product | Control Unit | |
| Model | Double | |
| Type | Single Extended | |
| Contact | 1NO+1NC | |
| Color | Black-White | |
| Dia | 22 mm | |
| Current | Ie | 4 A (230V AC) |
| Usage Category | AC 15 | |
| Mechanical Life | Min Qty | 500000 |
| Electrical Life | Min Qty | 100000 |
| Operating Frequency | On-Off/Hour | Mech. 3000 Elec. 1200 |
| Insulation Voltage | Ui | 300V |
| Impulse Withstand Voltage | Uimp | 2.5 kV |
| Dielectric Strength (Body-Contact) | 2.500V AC | |
| Dielectric Strength (Contact-Contact) | 1.500V AC | |
| Isolation Resistance | 10 MΩ min. (500V DC) | |
| Operating Temperature | -15 / + 65 °C | |
| Pollution Degree | 3 | |
| Protection Degree | IP65 | |
| Contact Material | AgNi | |
| Cable Section | 1.5-2.5 mm ² | |
| Screw Torque | 1,5 Nm | |
| Short Circuit Breaking Capacity | Ics | 1 kA |
| Production Time | 31.12.1899 00:00:00 | |
| Serial | CP Series Plastic | |
| Specifications | Non-flammable V0 PA6.6 contact blocks | |
| | Various illumination contact blocks availability | |
| | Variety of products for all areas of application | |

IP65 protection from front side

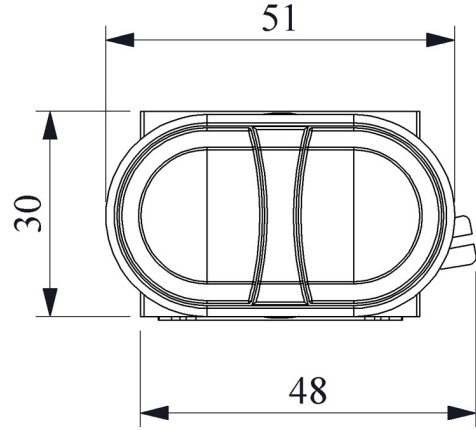
Standards / Certificates

IEC 60947-5-1 TS EN 60947-5-1 UL 508 VDE 0660





Montaj Ölçüsü $\phi 22.4 \pm 0.2$ mm



Devre Şeması

