

**CP202E**

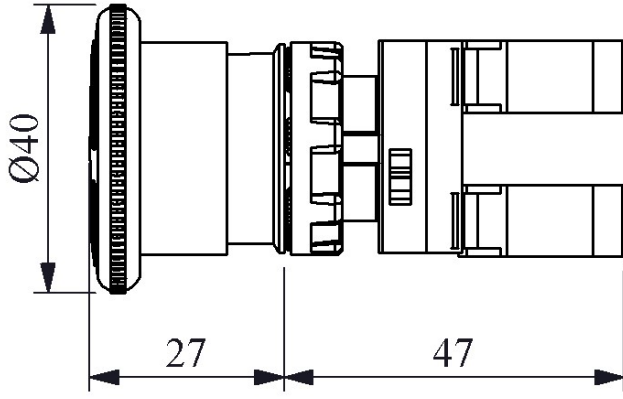
|  |                    |  |
|--|--------------------|--|
| <b>Product</b>                               |                    | Control Unit                                     |
| <b>Model</b>                                 |                    | Emergency  |
| <b>Type</b>                                  |                    | Turn to Release                                  |
| <b>Contact</b>                               |                    | 2NC  |
| <b>Color</b>                                 |                    | Red  |
| <b>Dia</b>                                   |                    | 22 mm  |
| <b>Head Dia</b>                              |                    | 40 mm  |
| <b>Current</b>                               | <b>Ie</b>          | 4 A (230V AC)                                    |
| <b>Usage Category</b>                        |                    | AC 15  |
| <b>Mechanical Life</b>                       | <b>Min Qty</b>     | 500000   |
| <b>Electrical Life</b>                       | <b>Min Qty</b>     | 100000   |
| <b>Operating Frequency</b>                   | <b>On-Off/Hour</b> | Mech. 1200 Elec. 1200                            |
| <b>Insulation Voltage</b>                    | <b>Ui</b>          | 300V   |
| <b>Impulse Withstand Voltage</b>             | <b>Uimp</b>        | 2.5 kV   |
| <b>Dielectric Strength (Body-Contact)</b>    |                    | 2.500V AC  |
| <b>Dielectric Strength (Contact-Contact)</b> |                    | 1.500V AC  |
| <b>Isolation Resistance</b>                  |                    | 10 M $\Omega$ min. (500V DC)                     |
| <b>Operating Temperature</b>                 |                    | -15 / + 65 °C                                    |
| <b>Pollution Degree</b>                      |                    | 3  |
| <b>Protection Degree</b>                     |                    | IP65   |
| <b>Contact Material</b>                      |                    | AgNi   |
| <b>Cable Section</b>                         |                    | 1.5-2.5 mm <sup>2</sup>                          |
| <b>Screw Torque</b>                          |                    | 1,5 Nm   |
| <b>Short Circuit Breaking Capacity</b>       | <b>Ics</b>         | 1 kA   |
| <b>Production Time</b>                       |                    | 31.12.1899 00:00:00                              |
| <b>Serial</b>                                |                    | CP Series Plastic                                |
| <b>Specifications</b>                        |                    | Non-flammable V0 PA6.6 contact blocks            |
|  |                    | Various illumination contact blocks availability |

Variety of products for all areas of application

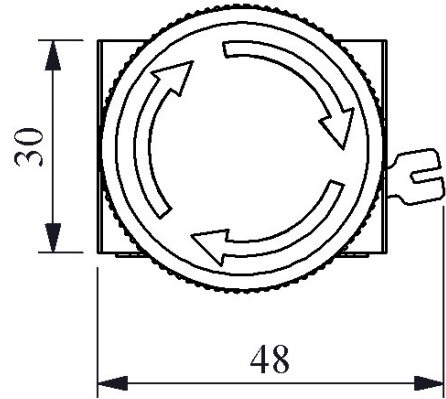
IP65 protection from front side

**Standards / Certificates** IEC 60947-5-1 TS EN 60947-5-1 UL 508 VDE 0660





Montaj Ölçüsü  $\text{Ø}22.4 \pm 0.2 \text{ mm}$



Devre Şeması

