


**D050YXB**

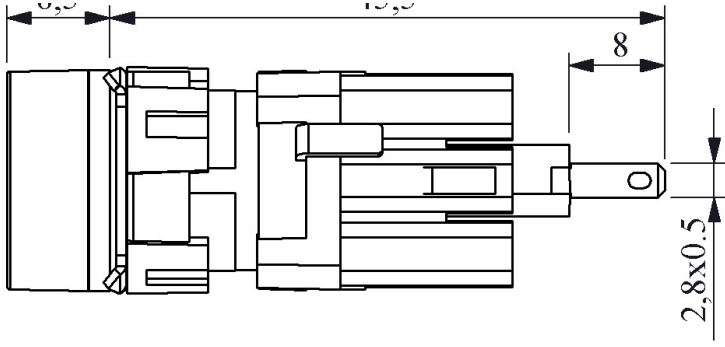
Operating Current		10-20 mA (12-24V AC/DC)
Operational Frequency		50 Hz
Operational Voltage		12-30V AC/DC
Product		Pilot
Color		White
Illumination		with LED
Dia		16 mm
Head Type		Round
Power Consumption		0.6 W
Insulation Voltage	<b>Ui</b>	300V
Operating Temperature		-15 / + 70 °C
Pollution Degree		3
Protection Degree		IP50
Cable Section		Terminal 2,8x0,5
Production Time		31.12.1899 00:00:00
Serial		D Series Plastic
Electrical Life	<b>Min Hour</b>	10000
Specifications		Non-flammable V0 PA6.6 contact blocks
		Various illumination contact blocks availability
		Variety of products for all areas of application
		Ease of use in limited spaces
Standards / Certificates		TS EN 60947-5-1



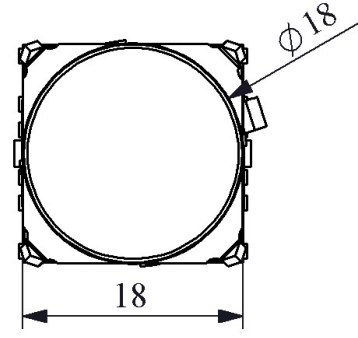
... 8.5 ...

45.5

...



Montaj Ölçüsü  $\text{Ø}16.3 \pm 0.2 \text{ mm}$



Devre Şeması

