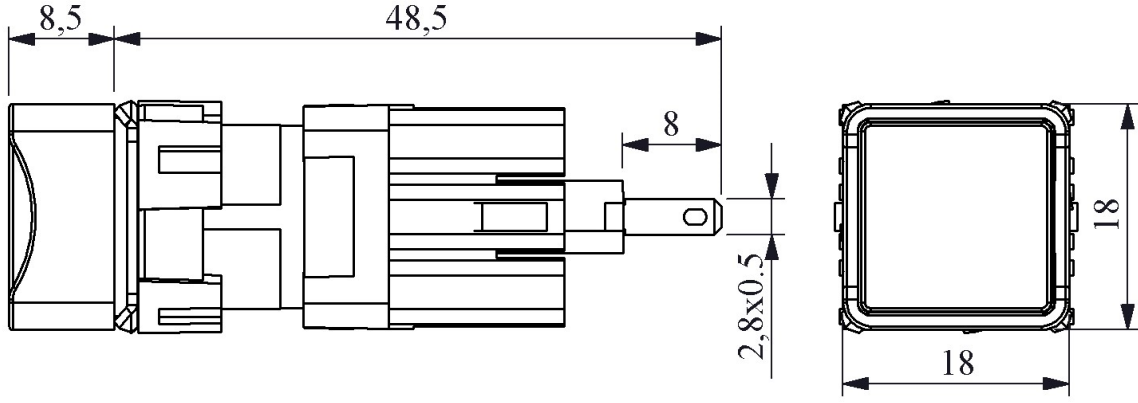


D090KDY

| | | |
|---------------------------------|-----------------|--|
| Operating Current | | 10-20 mA (12-24V AC/DC) |
| Operational Frequency | | 50 Hz |
| Operational Voltage | | 12-30V AC/DC |
| Product | | Pilot |
| Color | | Green |
| Illumination | | with LED |
| Dia | | 16 mm |
| Head Type | | Square |
| Power Consumption | | 0.6 W |
| Insulation Voltage | Ui | 300V |
| Operating Temperature | | -15 / + 70 °C |
| Pollution Degree | | 3 |
| Protection Degree | | IP50 |
| Cable Section | | Terminal 2,8x0,5 |
| Short Circuit Breaking Capacity | Ics | 1 kA |
| Production Time | | 31.12.1899 00:00:00 |
| Serial | | D Series Plastic |
| Electrical Life | Min Hour | 10000 |
| Specifications | | Non-flammable V0 PA6.6 contact blocks |
| | | Various illumination contact blocks availability |
| | | Variety of products for all areas of application |
| | | Ease of use in limited spaces |
| Standards / Certificates | | TS EN 60947-5-1 |





Montaj Ölçüsü $\text{Ø}16.3 \pm 0.2 \text{ mm}$

Devre Şeması

