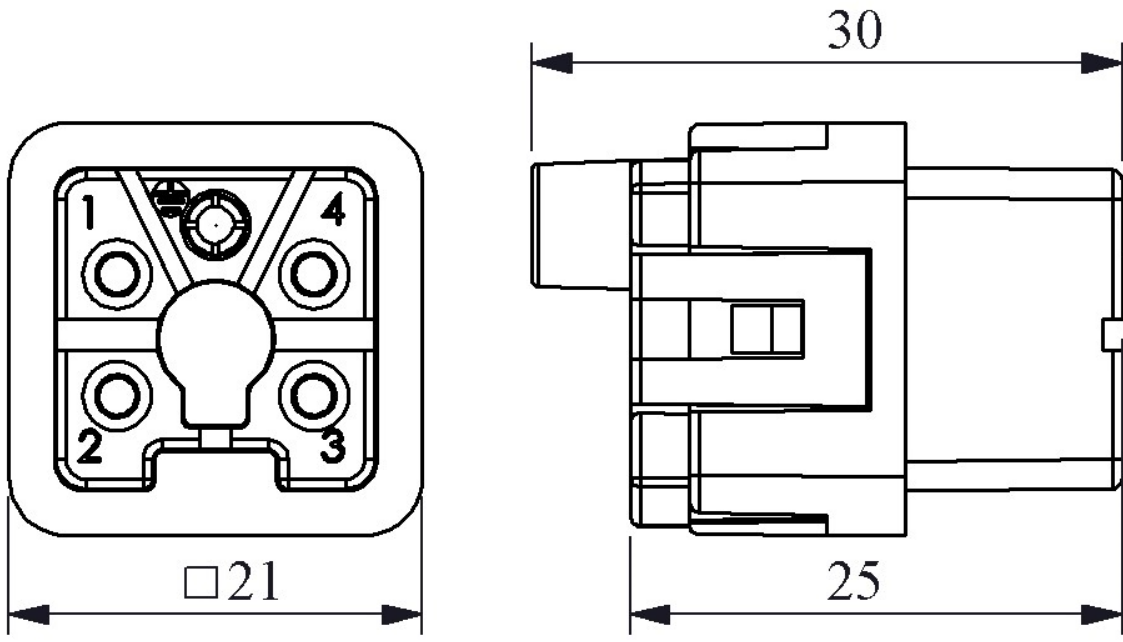



**EB005CP00**

<b>Print</b>		1-5
<b>Operating Current</b>		10A
<b>Product</b>		Multipole
<b>Type</b>		Insert Socket
<b>Contact</b>		5 Poles
<b>Usage Category</b>		AC15
<b>Mechanical Life</b>	<b>Min Qty</b>	≥ 500
<b>Electrical Life</b>	<b>Min Qty</b>	≥ 100
<b>Operating Frequency</b>	<b>On-Off/Hour</b>	Mech.240 Elec.120
<b>Insulation Voltage</b>	<b>Ui</b>	690V
<b>Impulse Withstand Voltage</b>	<b>Uimp</b>	6 kV
<b>Dielectric Strength (Body-Contact)</b>		1890V AC
<b>Dielectric Strength (Contact-Contact)</b>		3000V AC
<b>Isolation Resistance</b>		10 MΩ Min. (500 V DC)
<b>Operating Temperature</b>		-40 / +125 °C
<b>Pollution Degree</b>		1
<b>Production Time</b>		31.12.1899 00:00:00
<b>Serial</b>		EB Series
<b>Specifications</b>	Wide product variety	
	IP65 in closed position	
	Universal inserts	
	Easy cabling	
	Different locking types	
Powdercoated metal housing		

**Standards / Certificates** TS EN 61984

Kontak Sayısı: 4P+E