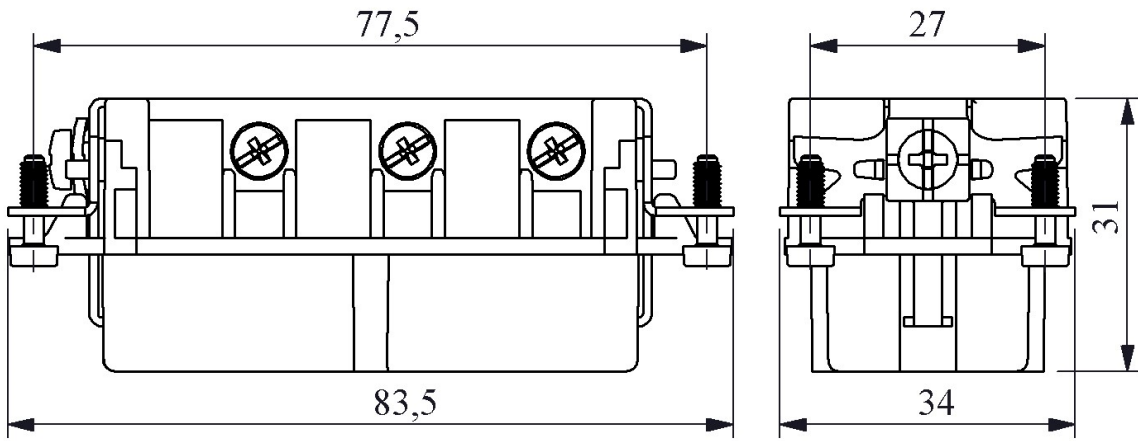



EB0612CP00

| | | |
|--|--------------------|----------------------------|
| Print | | 7-12 |
| Operating Current | | 35A |
| Product | | Multipole |
| Type | | Insert Socket |
| Contact | | 6 Poles |
| Usage Category | | AC15 |
| Mechanical Life | Min Qty | ≥ 500 |
| Electrical Life | Min Qty | ≥ 100 |
| Operating Frequency | On-Off/Hour | Mech.240 Elec.120 |
| Insulation Voltage | Ui | 690V |
| Impulse Withstand Voltage | Uimp | 6 kV |
| Dielectric Strength (Body-Contact) | | 1890V AC |
| Dielectric Strength (Contact-Contact) | | 3000V AC |
| Isolation Resistance | | 10 MΩ Min. (500 V DC) |
| Operating Temperature | | -40 / +125 °C |
| Pollution Degree | | 3 |
| Production Time | | 31.12.1899 00:00:00 |
| Serial | | EB Series |
| Specifications | | Wide product variety |
| | | IP65 in closed position |
| | | Universal inserts |
| | | Easy cabling |
| | | Different locking types |
| | | Powdercoated metal housing |

Standards / Certificates TS EN 61984

Kontak Sayısı: 2x(6P+E)