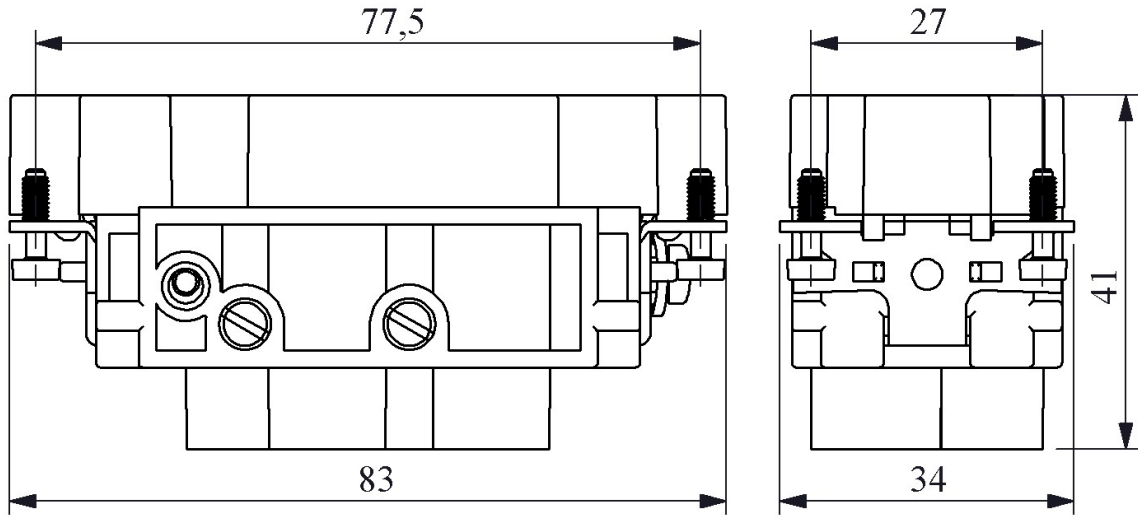



EB0806CF00

Print		1-6
Operating Current		(4x80A)+(2x16A)
Product		Multipole
Type		Insert Plug
Contact		6 Poles
Usage Category		AC15
Mechanical Life	Min Qty	≥ 500
Electrical Life	Min Qty	≥ 100
Operating Frequency	On-Off/Hour	Mech.240 Elec.120
Insulation Voltage	Ui	690V
Impulse Withstand Voltage	Uimp	6 kV
Dielectric Strength (Body-Contact)		1890V AC
Dielectric Strength (Contact-Contact)		3000V AC
Isolation Resistance		10 MΩ Min. (500 V DC)
Operating Temperature		-40 / +125 °C
Pollution Degree		3
Production Time		31.12.1899 00:00:00
Serial		EB Series
Specifications		Wide product variety
		IP65 in closed position
		Universal inserts
		Easy cabling
		Different locking types
		Powdercoated metal housing

Standards / Certificates TS EN 61984

Kontak Sayısı: 4x80A+2x16A+E