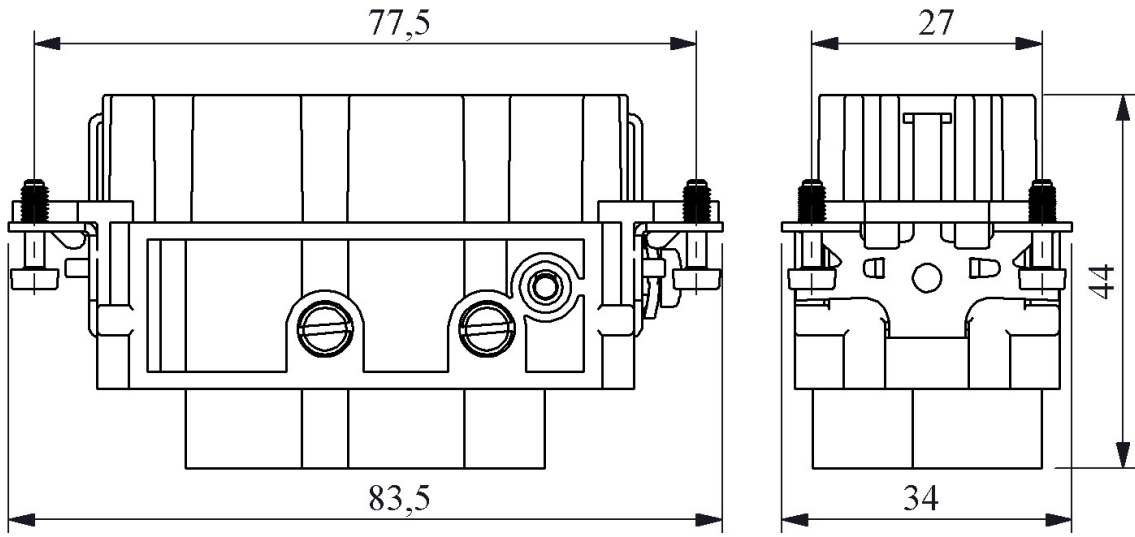



EB0806CP00

Print	1-6	
Operating Current	(4x80A)+(2x16A)	
Product	Multipole	
Type	Insert Socket	
Contact	6 Poles	
Usage Category	AC15	
Mechanical Life	Min Qty	≥ 500
Electrical Life	Min Qty	≥ 100
Operating Frequency	On-Off/Hour	Mech.240 Elec.120
Insulation Voltage	Ui	690V
Impulse Withstand Voltage	Uimp	6 kV
Dielectric Strength (Body-Contact)	1890V AC	
Dielectric Strength (Contact-Contact)	3000V AC	
Isolation Resistance	10 MΩ Min. (500 V DC)	
Operating Temperature	-40 / +125 °C	
Pollution Degree	3	
Production Time	31.12.1899 00:00:00	
Serial	EB Series	
Specifications	Wide product variety	
	IP65 in closed position	
	Universal inserts	
	Easy cabling	
	Different locking types	
Powdercoated metal housing		

Standards / Certificates TS EN 61984

Kontak Sayısı: 4x80A+2x16A+E