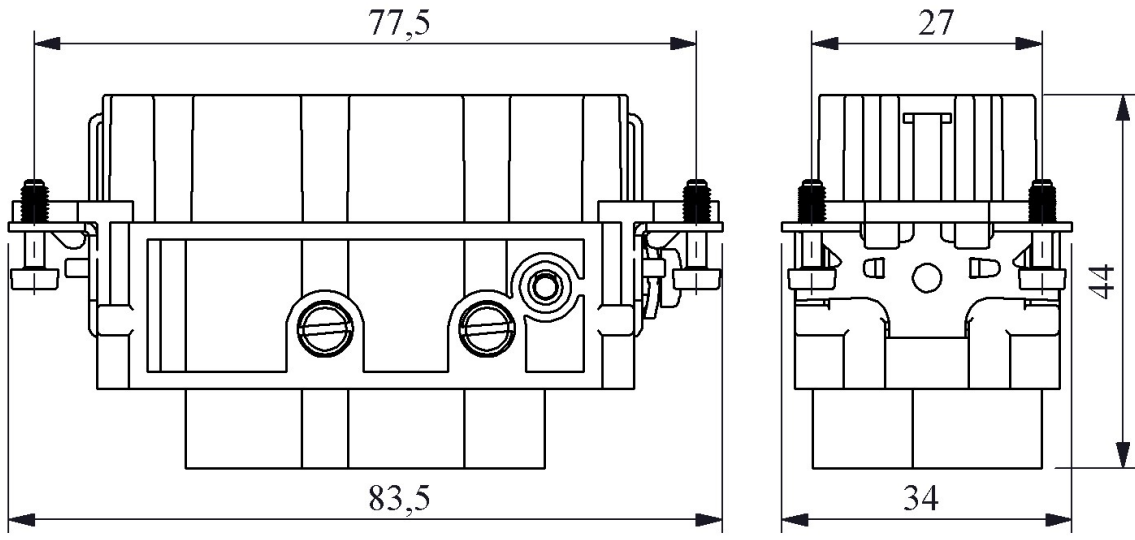



**EB0812CP00**

<b>Print</b>	7-12	
<b>Operating Current</b>	(4x80A)+(2x16A)	
<b>Product</b>	Multipole	
<b>Type</b>	Insert Socket	
<b>Contact</b>	6 Poles	
<b>Usage Category</b>	AC15	
<b>Mechanical Life</b>	<b>Min Qty</b>	≥ 500
<b>Electrical Life</b>	<b>Min Qty</b>	≥ 100
<b>Operating Frequency</b>	<b>On-Off/Hour</b>	Mech.240 Elec.120
<b>Insulation Voltage</b>	<b>Ui</b>	690V
<b>Impulse Withstand Voltage</b>	<b>Uimp</b>	6 kV
<b>Dielectric Strength (Body-Contact)</b>	1890V AC	
<b>Dielectric Strength (Contact-Contact)</b>	3000V AC	
<b>Isolation Resistance</b>	10 MΩ Min. (500 V DC)	
<b>Operating Temperature</b>	-40 / +125 °C	
<b>Pollution Degree</b>	3	
<b>Production Time</b>	31.12.1899 00:00:00	
<b>Serial</b>	EB Series	
<b>Specifications</b>	Wide product variety	
	IP65 in closed position	
	Universal inserts	
	Easy cabling	
	Different locking types	
Powdercoated metal housing		

**Standards / Certificates** TS EN 61984

Kontak Sayısı: 2x(4x80A+2x16A+E )