

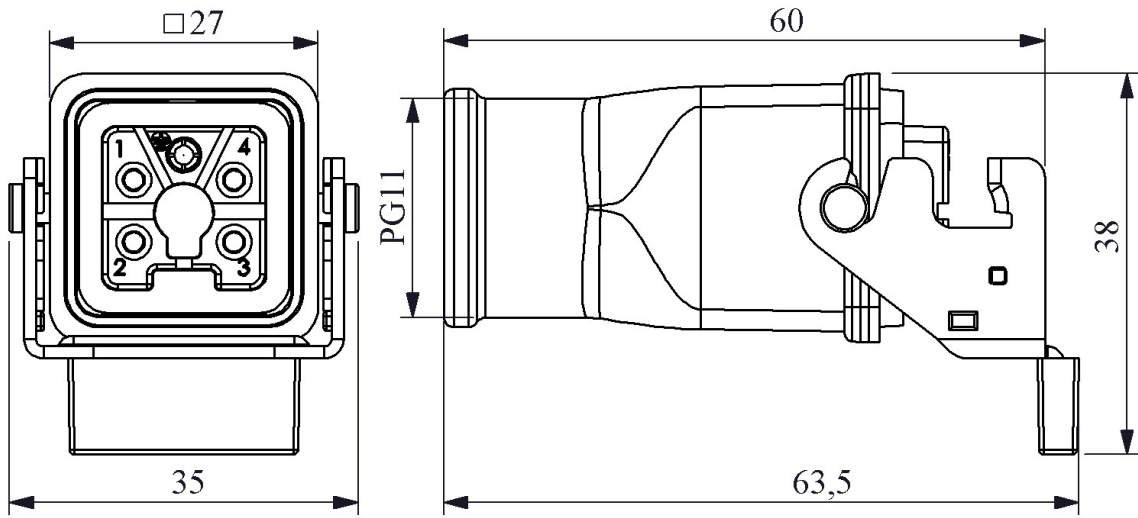

**EBM05PU36**

Operating Current	10A	
Product	Multipole	
Type	Extension Type Socket	
Contact	5 Poles	
Usage Category	AC15	
Mechanical Life	<b>Min Qty</b>	≥ 500
Electrical Life	<b>Min Qty</b>	≥ 100
Operating Frequency	<b>On-Off/Hour</b>	Mech.240 Elec.120
Insulation Voltage	<b>Ui</b>	690V
Impulse Withstand Voltage	<b>Uimp</b>	6 kV
Dielectric Strength (Body-Contact)	1890V AC	
Dielectric Strength (Contact-Contact)	3000V AC	
Isolation Resistance	10 MΩ Min. (500 V DC)	
Operating Temperature	-40 / +125 °C	
Pollution Degree	1	
Protection Degree	IP65	
Body Material	Metal	
Production Time	31.12.1899 00:00:00	
Serial	EBM Series	
Entry	Top Entry	
Locking	1 Metal Handle	
Specifications	Wide product variety	
	IP65 in closed position	
	Universal inserts	
	Easy cabling	
	Different locking types	
Standards / Certificates	Powdercoated metal housing	
	TS EN 61984	

CE



UK  
CA



Kontak Sayısı: 4P+E