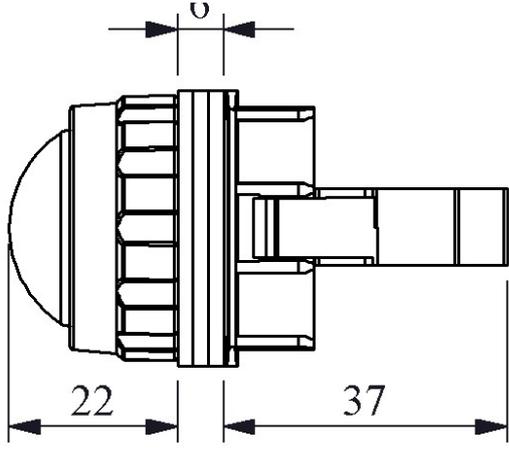




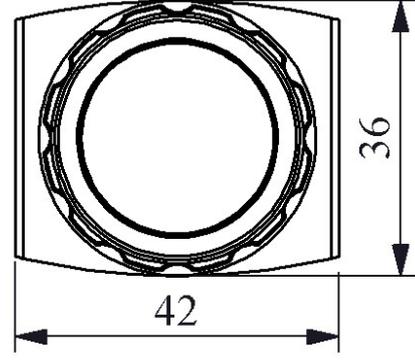
H030XS

Product		Pilot
Color		Yellow
Illumination		with Ba9S Lampholder
Dia		30 mm
Insulation Voltage	Ui	300V
Operating Temperature		-15 / + 80 °C
Pollution Degree		3
Protection Degree		IP50
Cable Section		1.5-2.5 mm ²
Screw Torque		1,5 Nm
Production Time		31.12.1899 00:00:00
Serial		H Series Plastic
Specifications		Non-flammable V0 PA6.6 contact blocks
		Various illumination contact blocks availability
		Variety of products for all areas of application
Standards / Certificates	TS EN 60947-5-1	





Montaj Ölçüsü $\text{Ø}30.3 \pm 0.2 \text{ mm}$



Devre Şeması

