

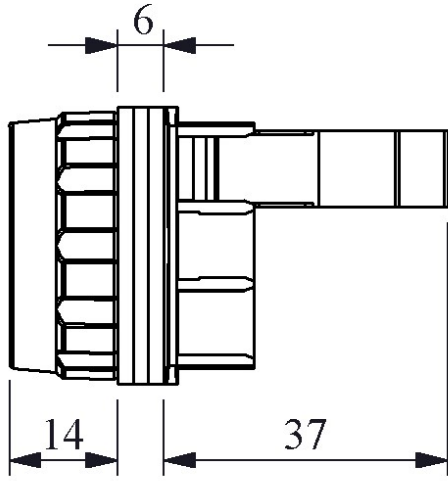


## H100DK

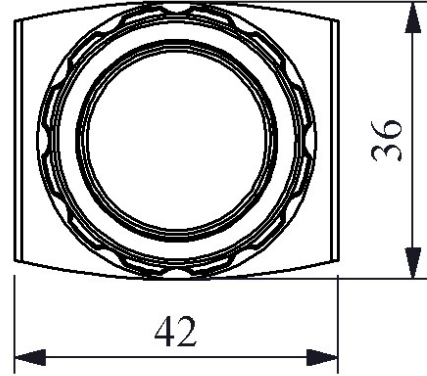
Product		Control Unit
Model		Spring
Type		Flush
Contact		1NO
Color		Red
Dia		30 mm
Current	<b>Ie</b>	4 A (250V AC)
Usage Category		AC 15
Mechanical Life	<b>Min Qty</b>	500000
Electrical Life	<b>Min Qty</b>	100000
Operating Frequency	<b>On-Off/Hour</b>	Mech. 3000 Elec. 1200
Insulation Voltage	<b>Ui</b>	300V
Impulse Withstand Voltage	<b>Uimp</b>	2.5 kV
Dielectric Strength (Body-Contact)		2.500V AC
Dielectric Strength (Contact-Contact)		1.500V AC
Isolation Resistance		10 MΩ min. (500V DC)
Operating Temperature		-15 / + 80 °C
Pollution Degree		3
Protection Degree		IP50
Contact Material		AgNi
Cable Section		1.5-2.5 mm <sup>2</sup>
Screw Torque		1,5 Nm
Short Circuit Breaking Capacity	<b>Ics</b>	1 kA
Production Time		31.12.1899 00:00:00
Serial		H Series Plastic
Specifications		Non-flammable V0 PA6.6 contact blocks
		Various illumination contact blocks availability
		Variety of products for all areas of application

Standards / Certificates IEC 60947-5-1 TS EN 60947-5-1 UL 508 VDE 0660





Montaj Ölçüsü  $\text{Ø}30.3 \pm 0.2 \text{ mm}$



Devre Şeması

