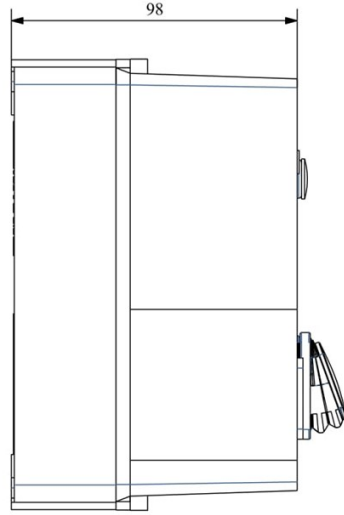
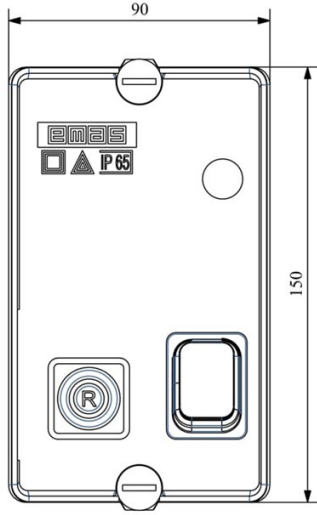
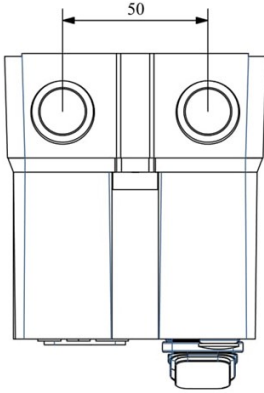
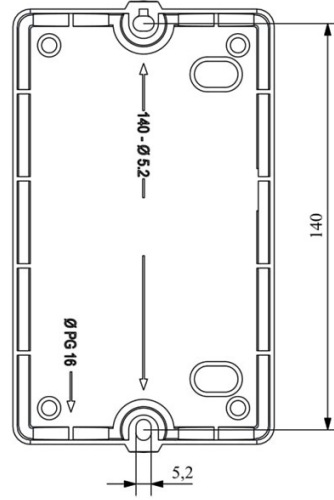



**HJ11A09UG**

Operational Frequency		50 - 60Hz
Product		Contacteur with Thermic in Box
Current	<b>Ie</b>	9A
Thermic Current		1,20-1,75A
Calibration Interval		
Usage Category		AC 3
Mechanical Life	<b>Min Qty</b>	100000
Electrical Life	<b>Min Qty</b>	100000
Operating Frequency	<b>On-Off/Hour</b>	Mech. 600 Elec. 600
Insulation Voltage	<b>Ui</b>	690V AC
Impulse Withstand Voltage	<b>Uimp</b>	6 kV
Dielectric Strength (Body-Contact)		1890V AC
Dielectric Strength (Contact-Contact)		1890V AC
Isolation Resistance		10 MΩ (500 V DC)
Operating Temperature		-5 / +40 °C
Pollution Degree		3
Protection Degree		IP30
Cable Section		1,5 mm <sup>2</sup>
Screw Torque		1,8 Nm
Short Circuit Breaking Capacity	<b>Ics</b>	50 kA
Serial		HJ Series
Voltage		220-230V/50-60HZ
Enclosure		with Rocker+Reset Button+Pilot
Specifications		High switching capacity
		From 9A to 55A with 3 different sizes
		Temperature compensated

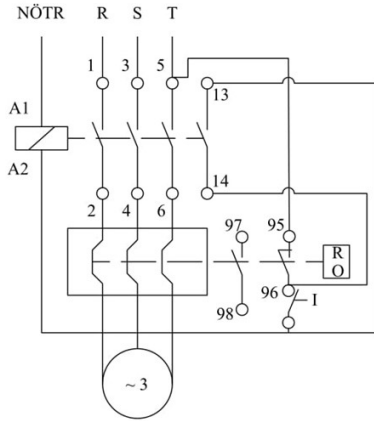


Montaj Ölçüsü

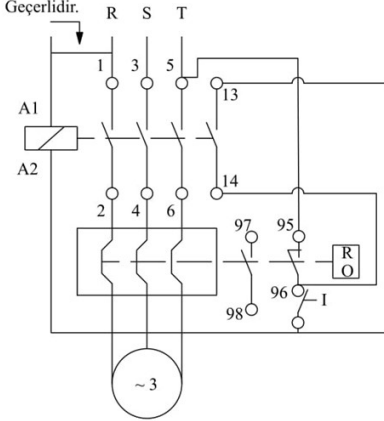


TRIFAZE ELEKTRİK ŞEMASI

220 V Bobinli Cihazlar İçin Geçerlidir.



380 V Bobinli Cihazlar için Geçerlidir.



MONOFAZE ELEKTRİK ŞEMASI

