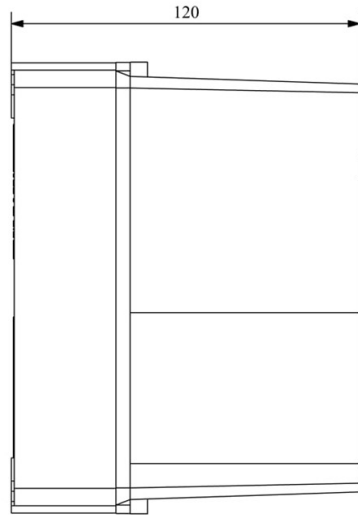
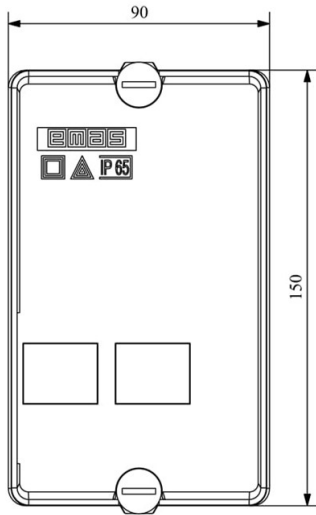
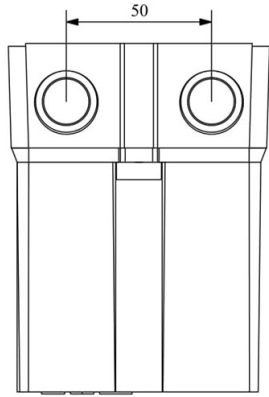
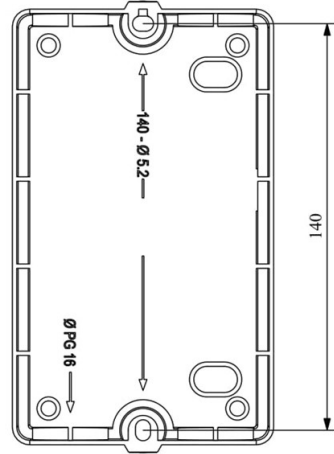



**HJ12X09WI**

|                                       |                    |                                       |
|---------------------------------------|--------------------|---------------------------------------|
| Operational Frequency                 |                    | 50 - 60Hz                             |
| Product                               |                    | Contacteur with Thermic in Box        |
| Current                               | <b>Ie</b>          | 9A                                    |
| Thermic Current                       |                    | 2,50-3,70A                            |
| Calibration Interval                  |                    |                                       |
| Usage Category                        |                    | AC 3                                  |
| Mechanical Life                       | <b>Min Qty</b>     | 100000                                |
| Electrical Life                       | <b>Min Qty</b>     | 100000                                |
| Operating Frequency                   | <b>On-Off/Hour</b> | Mech. 600 Elec. 600                   |
| Insulation Voltage                    | <b>Ui</b>          | 690V AC                               |
| Impulse Withstand Voltage             | <b>Uimp</b>        | 6 kV                                  |
| Dielectric Strength (Body-Contact)    |                    | 1890V AC                              |
| Dielectric Strength (Contact-Contact) |                    | 1890V AC                              |
| Isolation Resistance                  |                    | 10 MΩ (500 V DC)                      |
| Operating Temperature                 |                    | -5 / +40 °C                           |
| Pollution Degree                      |                    | 3                                     |
| Protection Degree                     |                    | IP65                                  |
| Cable Section                         |                    | 1,5 mm <sup>2</sup>                   |
| Screw Torque                          |                    | 1,8 Nm                                |
| Short Circuit Breaking Capacity       | <b>Ics</b>         | 50 kA                                 |
| Serial                                |                    | HJ Series                             |
| Voltage                               |                    | 380-400V/50-60HZ                      |
| Enclosure                             |                    | with Start and Reset Button           |
| Specifications                        |                    | High switching capacity               |
|                                       |                    | From 9A to 55A with 3 different sizes |
|                                       |                    | Temperature compensated               |

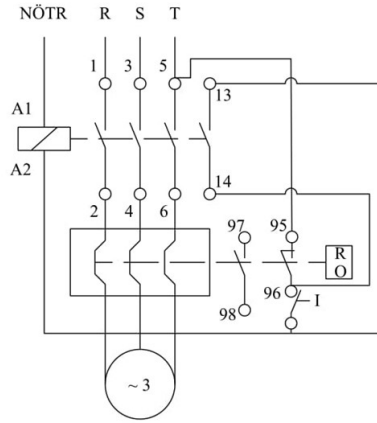


Montaj Ölçüsü

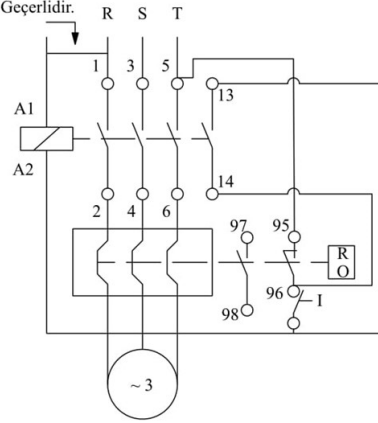


TRIFAZE ELEKTRİK ŞEMASI

220 V Bobinli Cihazlar  
İçin Geçerlidir.



380 V Bobinli  
Cihazlar için  
Geçerlidir.



MONOFAZE ELEKTRİK ŞEMASI

