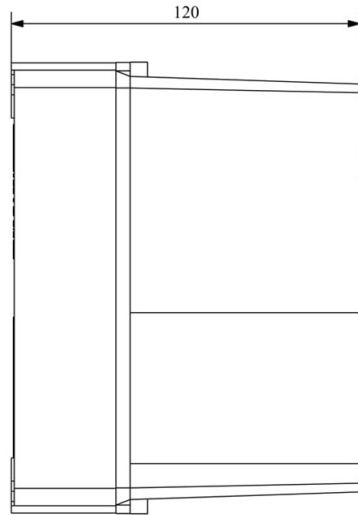
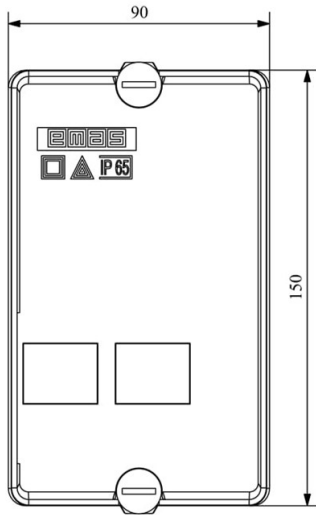
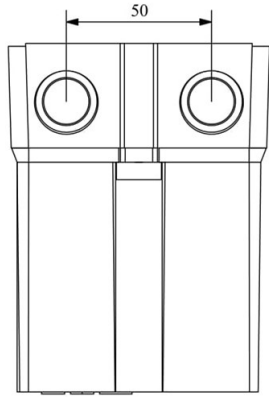
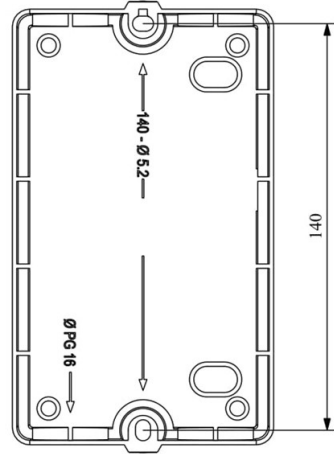



**HJ12X09WL**

<b>Operational Frequency</b>		50 - 60Hz
<b>Product</b>		Contacteur with Thermic in Box
<b>Current</b>	<b>Ie</b>	9A
<b>Thermic Current</b>		3,60-5,40A
<b>Calibration Interval</b>		
<b>Usage Category</b>		AC 3
<b>Mechanical Life</b>	<b>Min Qty</b>	100000
<b>Electrical Life</b>	<b>Min Qty</b>	100000
<b>Operating Frequency</b>	<b>On-Off/Hour</b>	Mech. 600 Elec. 600
<b>Insulation Voltage</b>	<b>Ui</b>	690V AC
<b>Impulse Withstand Voltage</b>	<b>Uimp</b>	6 kV
<b>Dielectric Strength (Body-Contact)</b>		1890V AC
<b>Dielectric Strength (Contact-Contact)</b>		1890V AC
<b>Isolation Resistance</b>		10 MΩ (500 V DC)
<b>Operating Temperature</b>		-5 / +40 °C
<b>Pollution Degree</b>		3
<b>Protection Degree</b>		IP65
<b>Cable Section</b>		1,5 mm <sup>2</sup>
<b>Screw Torque</b>		1,8 Nm
<b>Short Circuit Breaking Capacity</b>	<b>Ics</b>	50 kA
<b>Serial</b>		HJ Series
<b>Voltage</b>		380-400V/50-60HZ
<b>Enclosure</b>		with Start and Reset Button
<b>Specifications</b>		High switching capacity
		From 9A to 55A with 3 different sizes
		Temperature compensated

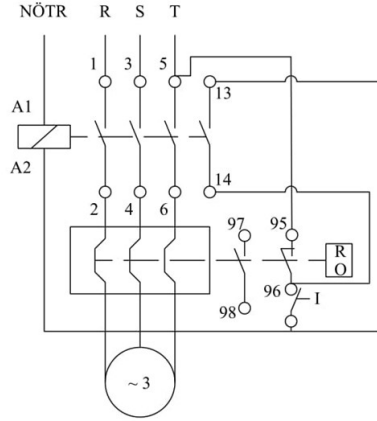


Montaj Ölçüsü

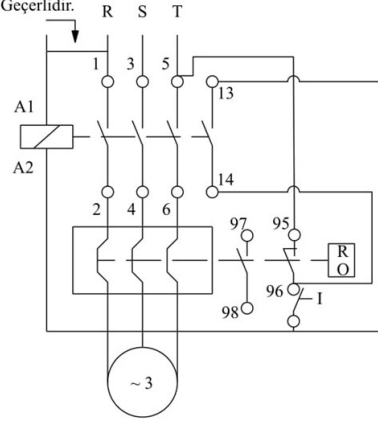


TRIFAZE ELEKTRİK ŞEMASI

220 V Bobinli Cihazlar  
İçin Geçerlidir.



380 V Bobinli  
Cihazlar için  
Geçerlidir.



MONOFAZE ELEKTRİK ŞEMASI

