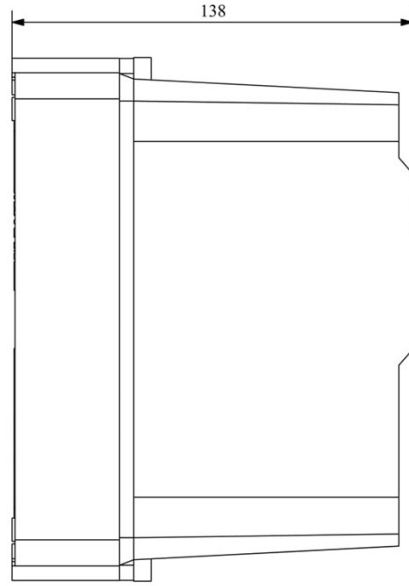
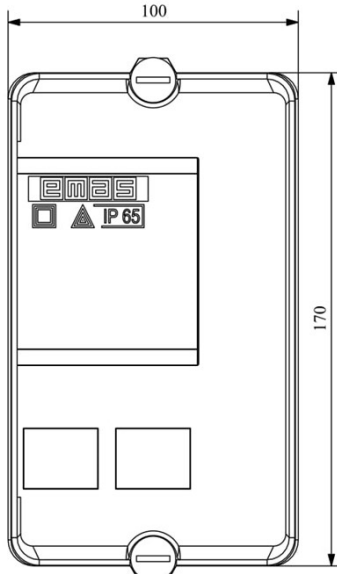
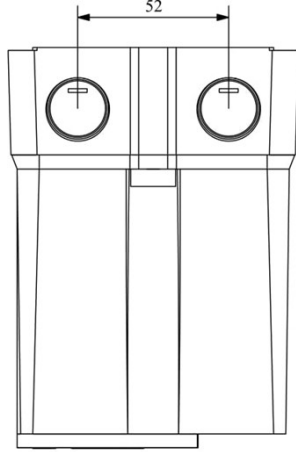
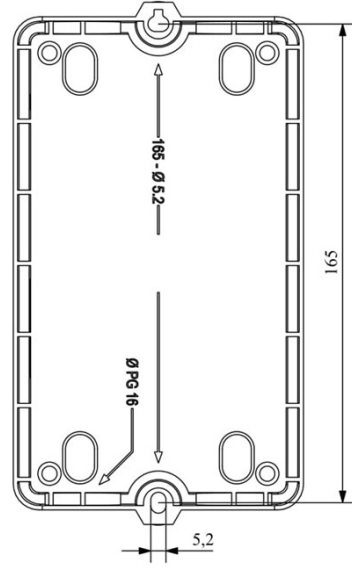


HJ22X17WO

| | | |
|---------------------------------------|--------------------|---------------------------------------|
| Operational Frequency | | 50 - 60Hz |
| Product | | Contacteur with Thermic in Box |
| Current | Ie | 17A |
| Thermic Current | | 10,00-15,00A |
| Calibration Interval | | |
| Usage Category | | AC 3 |
| Mechanical Life | Min Qty | 100000 |
| Electrical Life | Min Qty | 100000 |
| Operating Frequency | On-Off/Hour | Mech. 600 Elec. 600 |
| Insulation Voltage | Ui | 690V AC |
| Impulse Withstand Voltage | Uimp | 6 kV |
| Dielectric Strength (Body-Contact) | | 1890V AC |
| Dielectric Strength (Contact-Contact) | | 1890V AC |
| Isolation Resistance | | 10 MΩ (500 V DC) |
| Operating Temperature | | -15 / +80 °C |
| Pollution Degree | | 3 |
| Protection Degree | | IP65 |
| Cable Section | | 2,5 mm ² |
| Screw Torque | | 1,8 Nm |
| Short Circuit Breaking Capacity | Ics | 50 kA |
| Serial | | HJ Series |
| Voltage | | 380-400V/50-60HZ |
| Enclosure | | with Start and Reset Button |
| Specifications | | High switching capacity |
| | | From 9A to 55A with 3 different sizes |
| | | Temperature compensated |

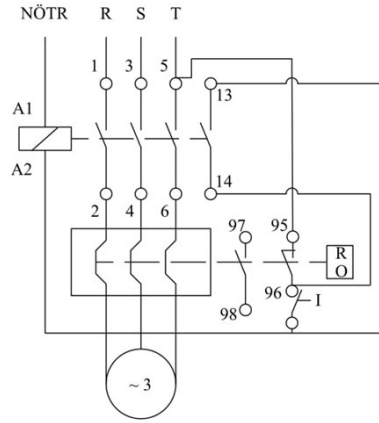


Montaj Ölçüsü

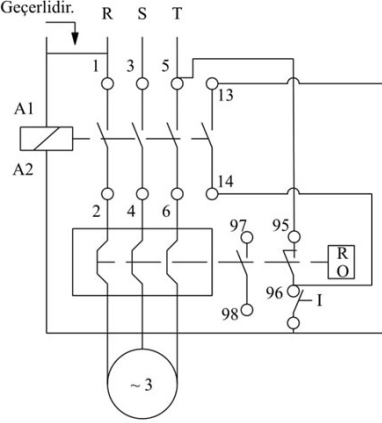


TRIFAZE ELEKTRİK ŞEMASI

220 V Bobinli Cihazlar İçin Geçerlidir.



380 V Bobinli Cihazlar İçin Geçerlidir.



MONOFAZE ELEKTRİK ŞEMASI
FAZ

