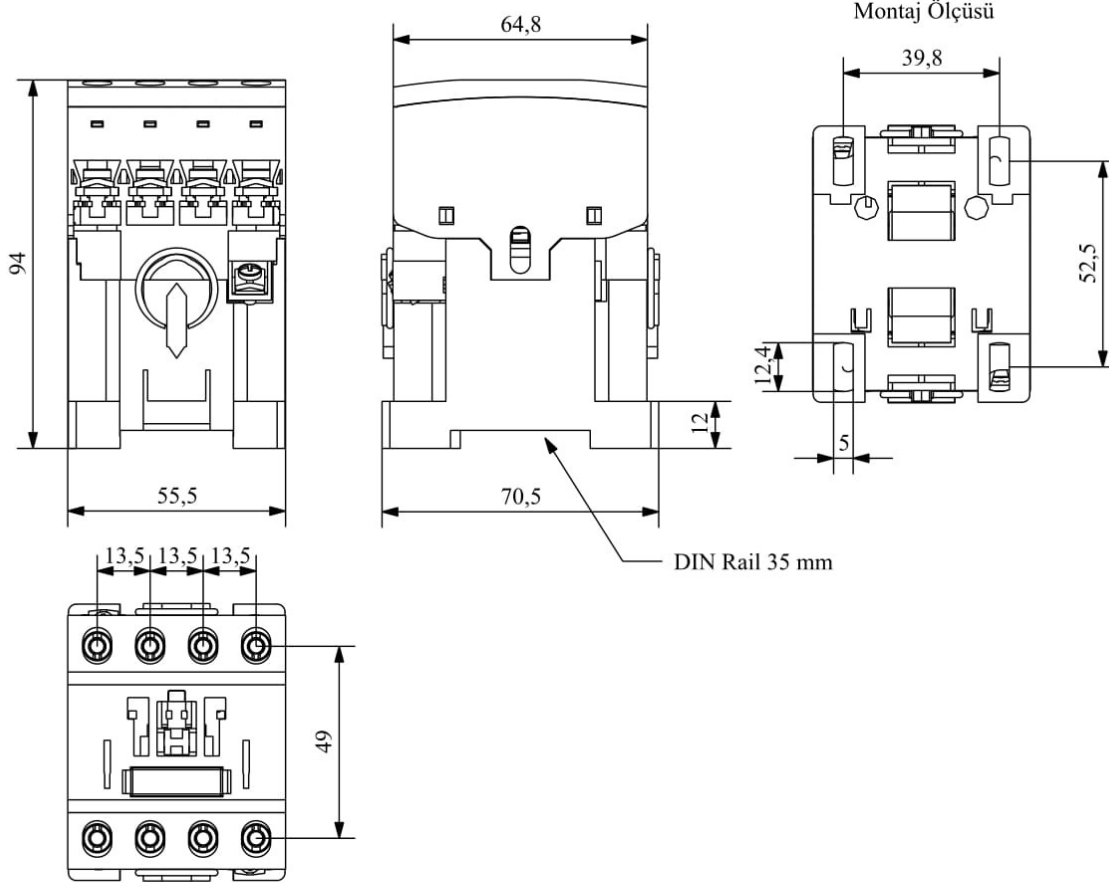


HN1710NG1

| | | |
|---------------------------------------|--------------------|---------------------------------------|
| Operational Frequency | | 50 - 60Hz |
| Product | | Contacteur |
| Current | Ie | 17A |
| Usage Category | | AC 3 |
| Mechanical Life | Min Qty | 10000000 |
| Electrical Life | Min Qty | 1000000 |
| Operating Frequency | On-Off/Hour | Mech. 1800 Elec. 600 |
| Insulation Voltage | Ui | 690V AC |
| Impulse Withstand Voltage | Uimp | 6 kV |
| Dielectric Strength (Body-Contact) | | 1890V AC |
| Dielectric Strength (Contact-Contact) | | 1890V AC |
| Isolation Resistance | | 10 MΩ (500 V DC) |
| Operating Temperature | | -15 / +80 °C |
| Pollution Degree | | 3 |
| Protection Degree | | IP20 |
| Cable Section | | 2,5 mm ² |
| Screw Torque | | 1,8 Nm |
| Short Circuit Breaking Capacity | Ics | 50 kA |
| Serial | | HN Series |
| Voltage | | 48V/50-60HZ |
| Auxilliary | | 1NO |
| Specifications | | High switching capacity |
| | | From 9A to 55A with 3 different sizes |
| | | Temperature compensated |
| Standards / Certificates | | TS EN 60947-4-1 |





Elektrik Şeması

