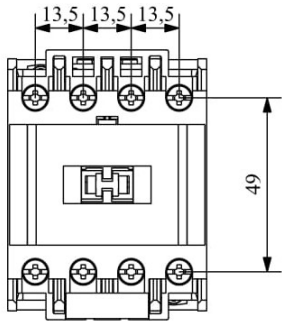
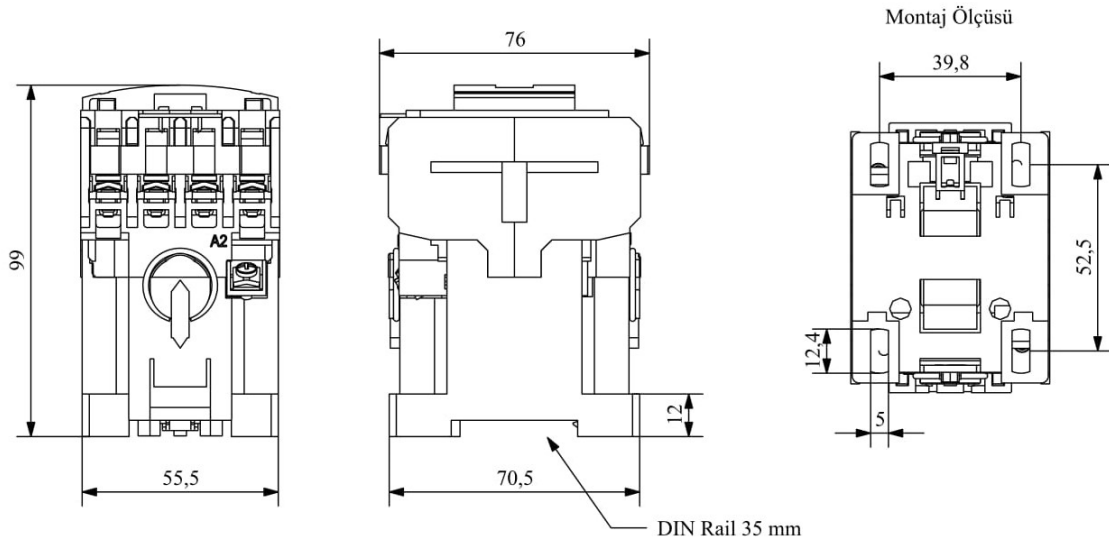


HR1710NWE

Operational Frequency		50 - 60Hz
Product		Contacteur
Current	Ie	17A
Usage Category		AC 3
Mechanical Life	Min Qty	10000000
Electrical Life	Min Qty	1000000
Operating Frequency	On-Off/Hour	Mech. 1800 Elec. 600
Insulation Voltage	Ui	690V AC
Impulse Withstand Voltage	Uimp	6 kV
Dielectric Strength (Body-Contact)		1890V AC
Dielectric Strength (Contact-Contact)		1890V AC
Isolation Resistance		10 MΩ (500 V DC)
Operating Temperature		-15 / +80 °C
Pollution Degree		3
Protection Degree		IP20
Cable Section		2,5 mm ²
Screw Torque		1,8 Nm
Short Circuit Breaking Capacity	Ics	50 kA
Serial		HR Series
Voltage		380-400V/50-60HZ
Auxilliary		1NO
Specifications		High switching capacity
		From 9A to 55A with 3 different sizes
		Temperature compensated
Standards / Certificates		TS EN 60947-4-1





Elektrik Şeması

