

**IF6P024ZM05-1**

Operational Frequency		50 Hz
Operational Voltage		24V DC
Product		LED Beacon 65mm
Control		PLC Harmonized
Mounting		M22 Screw
Color		Multicolor
Illumination		Constant
Cable		1mt Cable
Volume		90 - 105 dB
Power Consumption (Red)		1.1W
Power Consumption (Yellow)		1.4W
Power Consumption (Blue)		1.1W
Power Consumption (Green)		1.2W
Power Consumption (White)		2.7W
Power Consumption (Buzzer - Low Level)		0.75W
Power Consumption (Buzzer - High Level)		1.25W
Operating Frequency	On-Off/Hour	1 Hz
Insulation Voltage	Ui	300V
Operating Temperature		-25 °C /+70 °C
Protection Degree		IP65
Cable Section		Cable 0,50 mm ²
Production Time		31.12.1899 00:00:00
Serial		IF Series
Buzzer		With Buzzer
Electrical Life	Min Hour	10000

Specifications

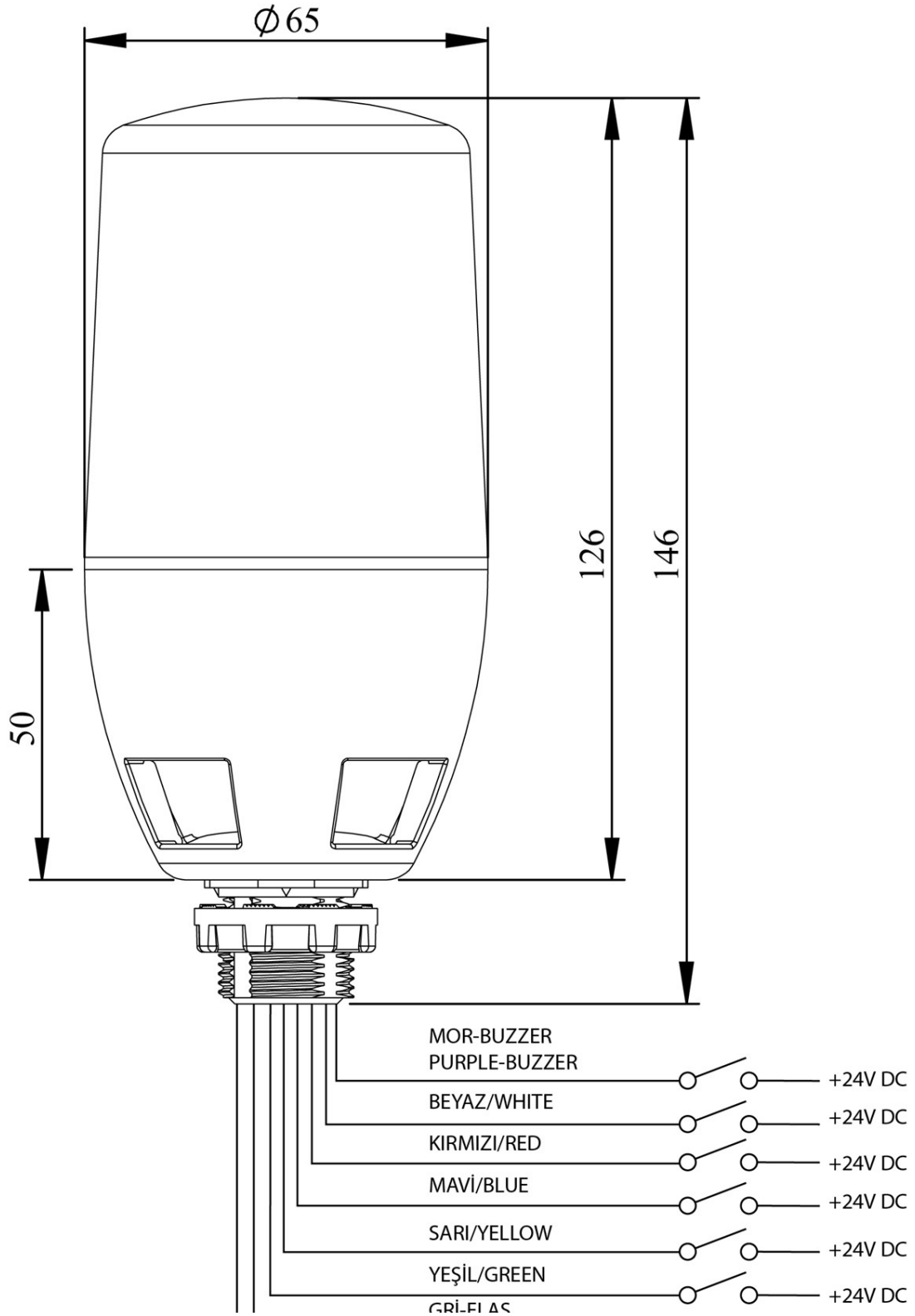
Heat resistant, clear vision Polycarbonate signal module

Monoblock construction

Easy wiring

Easy to install to 22mm hole





Spire.XLS

Free version is limited to 5 sheets per workbook and 200 rows per sheet. This limitation is enforced during reading or writing XLS or PDF files. When converting Excel files to PDF files, you can only get the first 3 pages of PDF file.

[Upgrade to Commercial Edition of Spire.XLS](#)