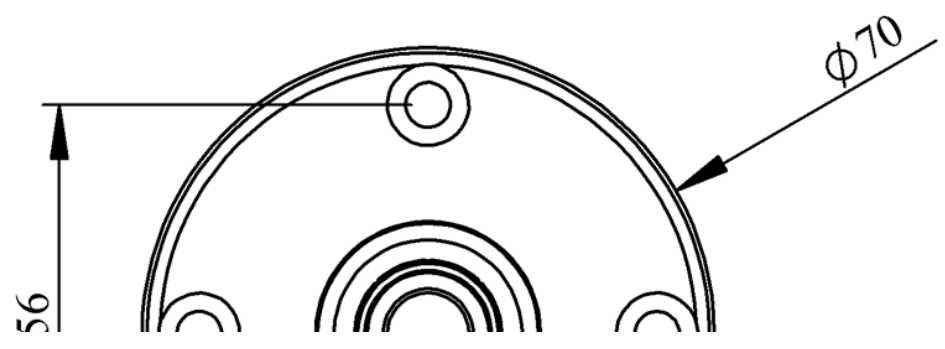
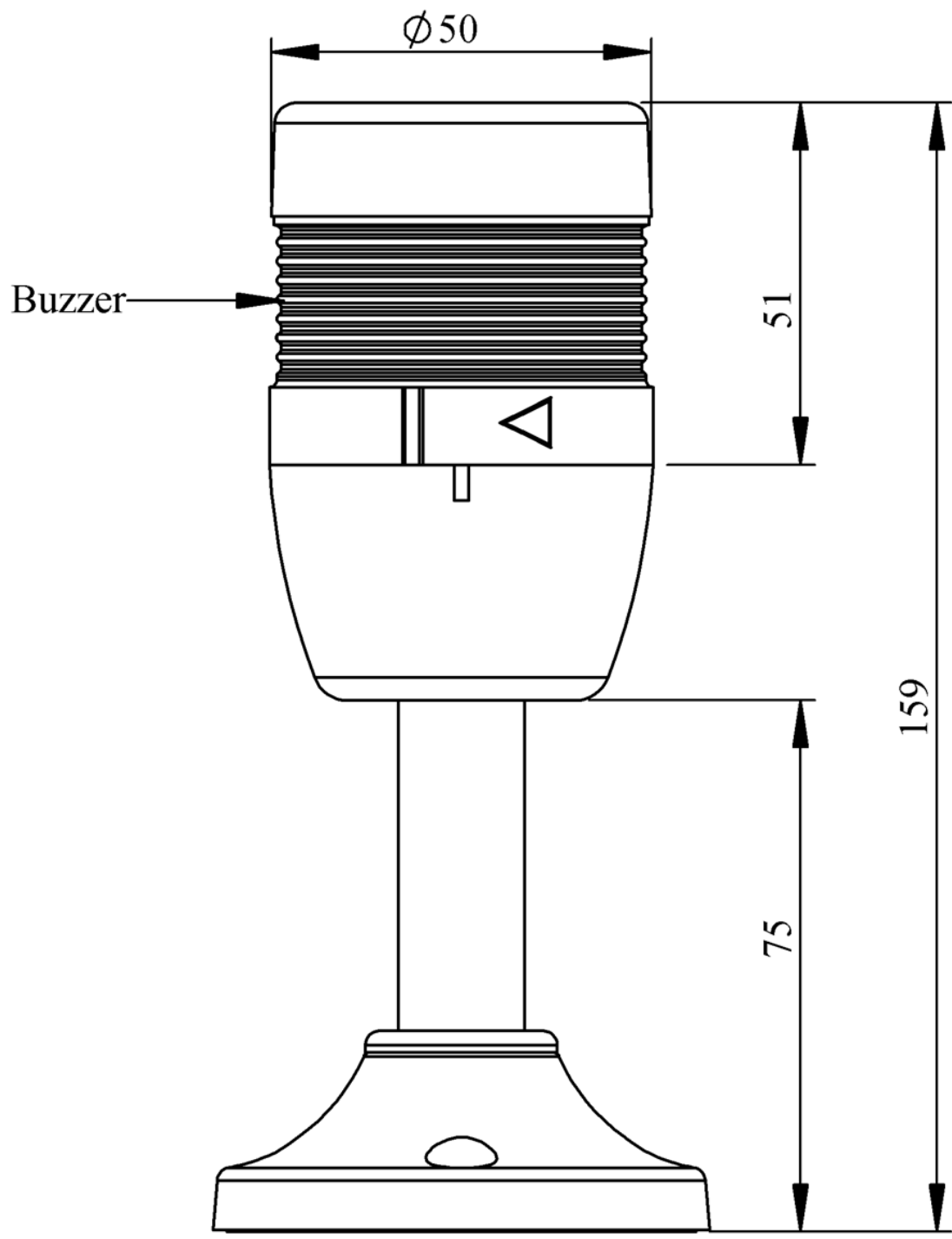



IK50X220ZM03

Weight (Gross with Carton)	Gr	192
Operational Frequency		50 Hz
Operational Voltage		220V AC
Product		LED Tower 50mm
Mounting		100mm Tube Plastic Base
Color		Single Level
Volume		90 dB
Power Consumption		0,35W
Operating Frequency	On-Off/Hour	1 Hz
Insulation Voltage	Ui	300V
Operating Temperature		-25 °C /+70 °C
Protection Degree		IP40
Cable Section		0,75-1,5 mm ²
Screw Torque		1,8Nm
Production Time		31.12.1899 00:00:00
Serial		IK Series
Buzzer		With Buzzer
Electrical Life	Min Hour	10000
Specifications		Heat resistant, clear vision Polycarbonate signal modules
		Modular construction
		Easy wiring
		Variety of connection bases



Spire.XLS

Free version is limited to 5 sheets per workbook and 200 rows per sheet. This limitation is enforced during reading or writing XLS or PDF files. When converting Excel files to PDF files, you can only get the first 3 pages of PDF file.

[Upgrade to Commercial Edition of Spire.XLS](#)