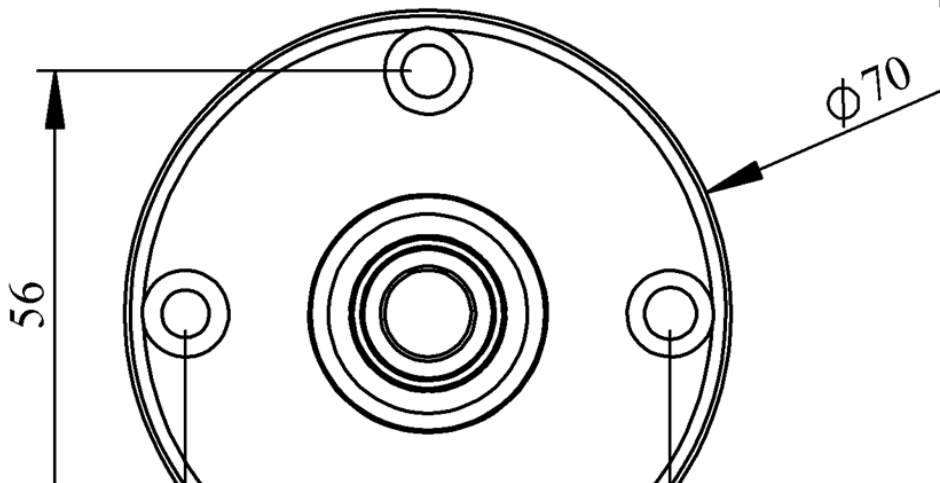
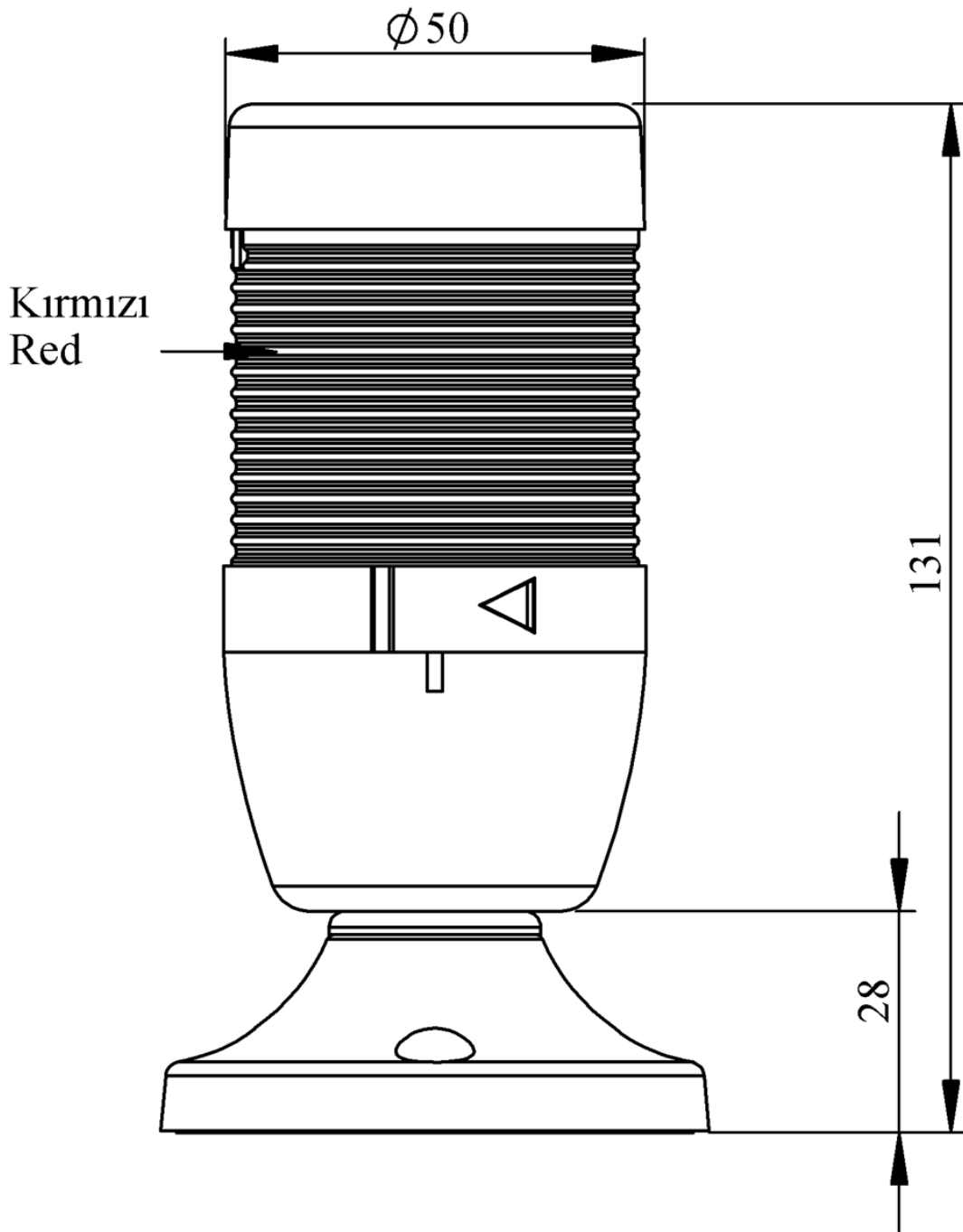


**IK51L024XM02E**

<b>Weight (Gross with Carton)</b>	<b>Gr</b>	175
<b>Bulb Type</b>		LED
<b>Operational Frequency</b>		50 Hz
<b>Operational Voltage</b>		24V AC/DC
<b>Product</b>		LED Tower 50mm
<b>Mounting</b>		45mm Tube Plastic Base with Etange
<b>Color</b>		Single Level
<b>Power Consumption</b>		1W
<b>Insulation Voltage</b>	<b>Ui</b>	300V
<b>Operating Temperature</b>		-25 °C /+70 °C
<b>Protection Degree</b>		IP65
<b>Cable Section</b>		0,75-1,5 mm <sup>2</sup>
<b>Screw Torque</b>		1,8Nm
<b>Lampholder Type</b>		BA15S
<b>Production Time</b>		31.12.1899 00:00:00
<b>Serial</b>		IK Series
<b>Electrical Life</b>	<b>Min Hour</b>	10000
<b>Specifications</b>		Heat resistant, clear vision Polycarbonate signal modules
		Modular construction
		Easy wiring
		Variety of connection bases







# Spire.XLS

Free version is limited to 5 sheets per workbook and 200 rows per sheet. This limitation is enforced during reading or writing XLS or PDF files. When converting Excel files to PDF files, you can only get the first 3 pages of PDF file.

[Upgrade to Commercial Edition of Spire.XLS](#)