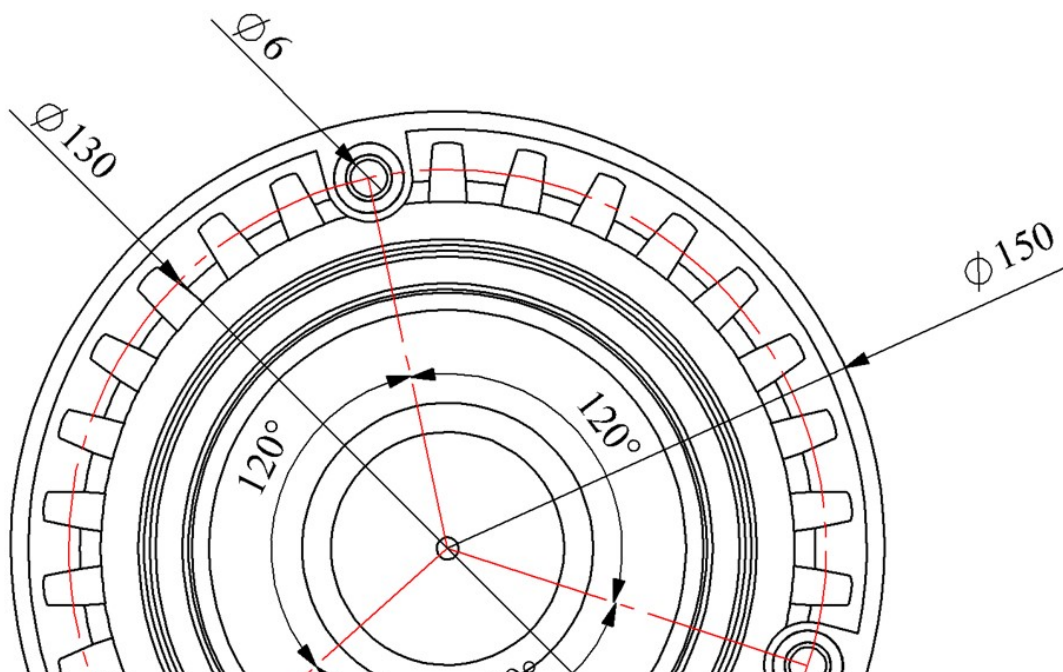
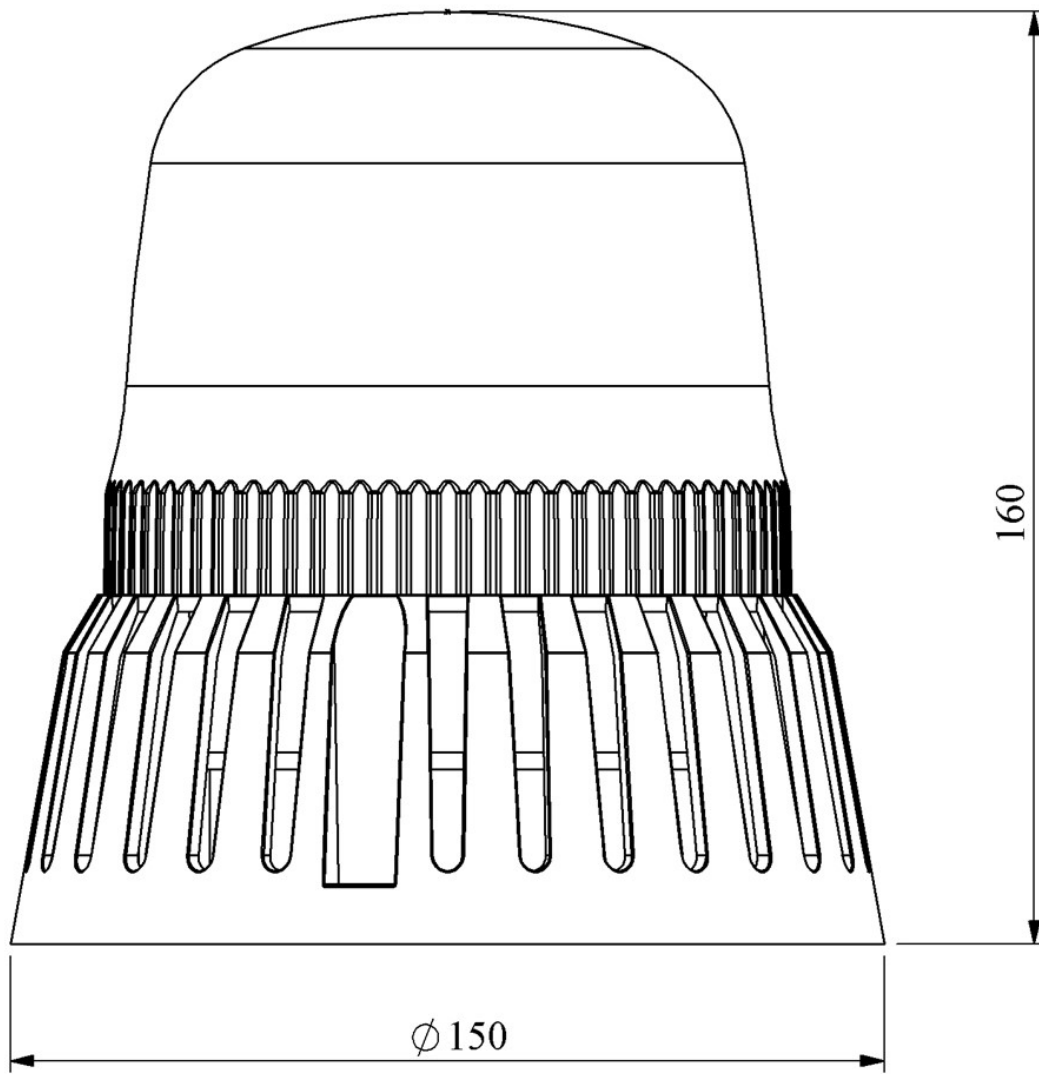



**IT120Y220Z**

<b>Bulb Type</b>		LED
<b>Operational Frequency</b>		50 Hz
<b>Operational Voltage</b>		220V AC
<b>Product</b>		LED Beacon 120mm
<b>Color</b>		Yellow
<b>Insulation Voltage</b>	<b>Ui</b>	300V
<b>Dielectric Strength (Body-Contact)</b>		1500V
<b>Operating Temperature</b>		-25 °C /+55 °C
<b>Protection Degree</b>		IP65
<b>Cable Section</b>		Cable 0,50 mm <sup>2</sup>
<b>Production Time</b>		31.12.1899 00:00:00
<b>Serial</b>		IT Series
<b>Buzzer</b>		With Buzzer
<b>Electrical Life</b>	<b>Min Hour</b>	20000
<b>Specifications</b>	Heat resistant, clear vision Polycarbonate signal module	
	Monoblock construction	
	Easy wiring	





# Spire.XLS

Free version is limited to 5 sheets per workbook and 200 rows per sheet. This limitation is enforced during reading or writing XLS or PDF files. When converting Excel files to PDF files, you can only get the first 3 pages of PDF file.

[Upgrade to Commercial Edition of Spire.XLS](#)