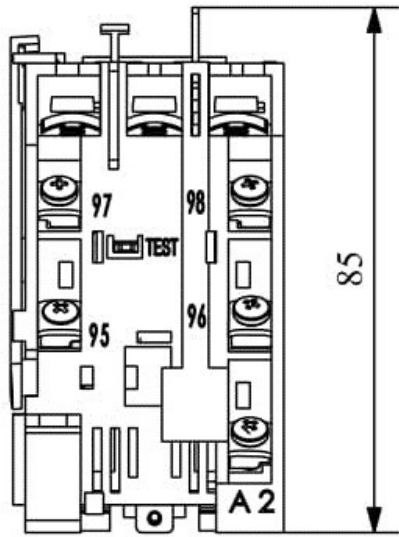
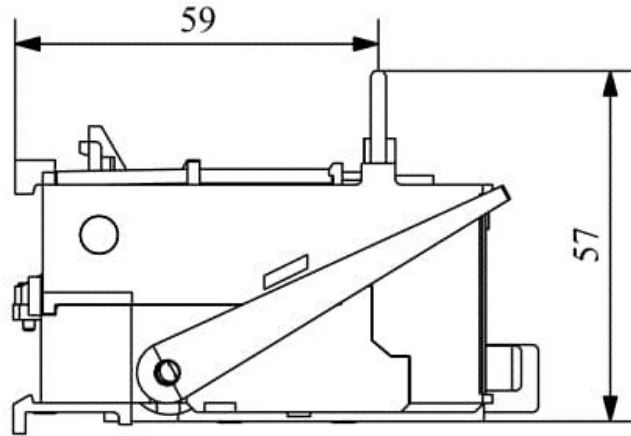
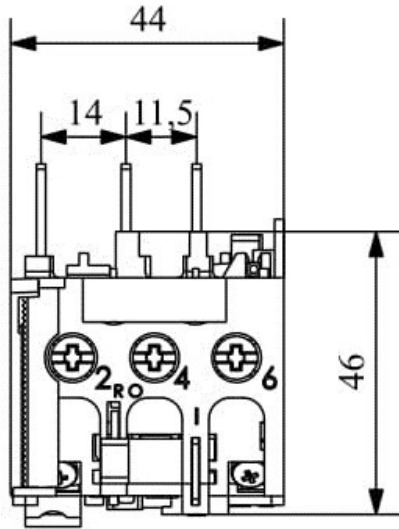


**JA25E**

|                                       |                        |   |
|---------------------------------------|------------------------|---|
| Operational Frequency                 |                        | 50 - 60Hz   |
| Product                               |                        | Thermic Relay   |
| Current                               | <b>I<sub>e</sub></b>   | 25A   |
| Thermic Current                       |                        | 0,60-0,90A  |
| Calibration Interval                  |                        |   |
| Usage Category                        |                        | AC 3  |
| Mechanical Life                       | <b>Min Qty</b>         | 100000  |
| Electrical Life                       | <b>Min Qty</b>         | 100000  |
| Operating Frequency                   | <b>On-Off/Hour</b>     | Mech. 600 Elec. 600   |
| Insulation Voltage                    | <b>U<sub>i</sub></b>   | 690V AC   |
| Impulse Withstand Voltage             | <b>U<sub>imp</sub></b> | 6 kV  |
| Dielectric Strength (Body-Contact)    |                        | 1890V AC  |
| Dielectric Strength (Contact-Contact) |                        | 1890V AC  |
| Isolation Resistance                  |                        | 10 MΩ (500 V DC)  |
| Operating Temperature                 |                        | -5 / +40 °C   |
| Pollution Degree                      |                        | 3   |
| Protection Degree                     |                        | IP20  |
| Contact Material                      |                        | AgNi  |
| Cable Section                         |                        | 1,5 -2,5mm <sup>2</sup>                                       |
| Screw Torque                          |                        | 1,8Nm   |
| Short Circuit Breaking Capacity       | <b>I<sub>cs</sub></b>  | 50 kA   |
| Serial                                |                        | JA Series   |
| Specifications                        |                        | With single phase and three phase protection against overload |
|                                       |                        | Protection against phase failure                              |
|                                       |                        | Manual or automatic reset                                     |
| Standards / Certificates              |                        | TS EN 60947-4-1   |





Elektrik Şeması

