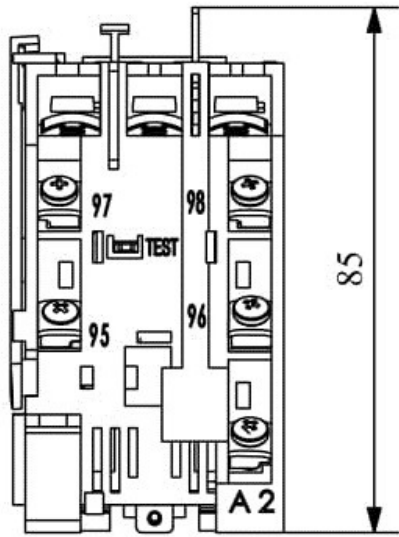
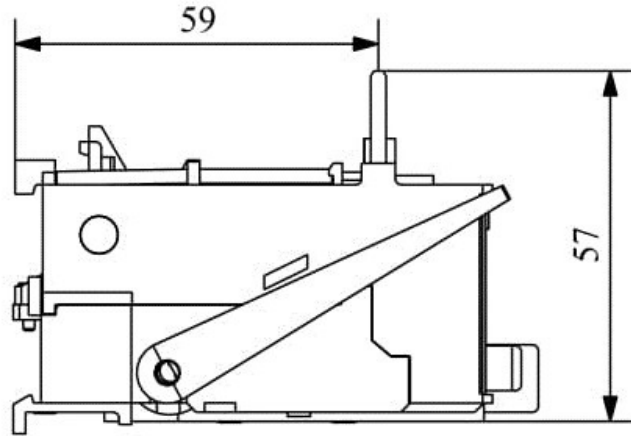
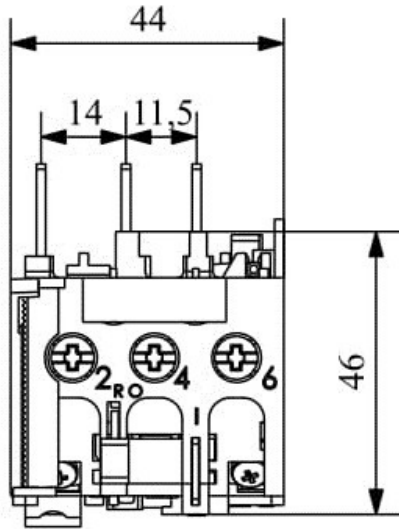


**JA25F**

Operational Frequency		50 - 60Hz
Product		Thermic Relay
Current	<b>I<sub>e</sub></b>	25A
Thermic Current Calibration Interval		0,85-1,27A
Usage Category		AC 3
Mechanical Life	<b>Min Qty</b>	100000
Electrical Life	<b>Min Qty</b>	100000
Operating Frequency	<b>On-Off/Hour</b>	Mech. 600 Elec. 600
Insulation Voltage	<b>U<sub>i</sub></b>	690V AC
Impulse Withstand Voltage	<b>U<sub>imp</sub></b>	6 kV
Dielectric Strength (Body-Contact)		1890V AC
Dielectric Strength (Contact-Contact)		1890V AC
Isolation Resistance		10 MΩ (500 V DC)
Operating Temperature		-5 / +40 °C
Pollution Degree		3
Protection Degree		IP20
Contact Material		AgNi
Cable Section		1,5 -2,5mm <sup>2</sup>
Screw Torque		1,8Nm
Short Circuit Breaking Capacity	<b>I<sub>cs</sub></b>	50 kA
Serial		JA Series
Specifications		With single phase and three phase protection against overload
		Protection against phase failure
		Manual or automatic reset
Standards / Certificates		TS EN 60947-4-1





Elektrik Şeması

