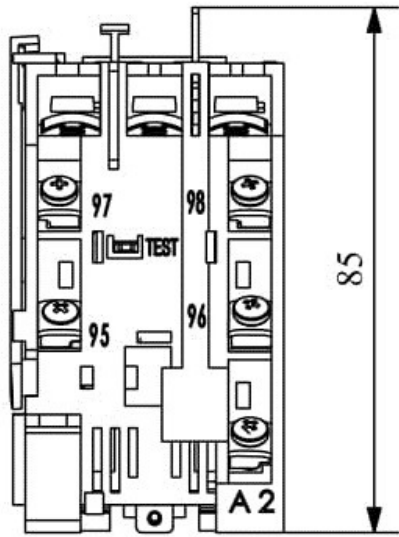
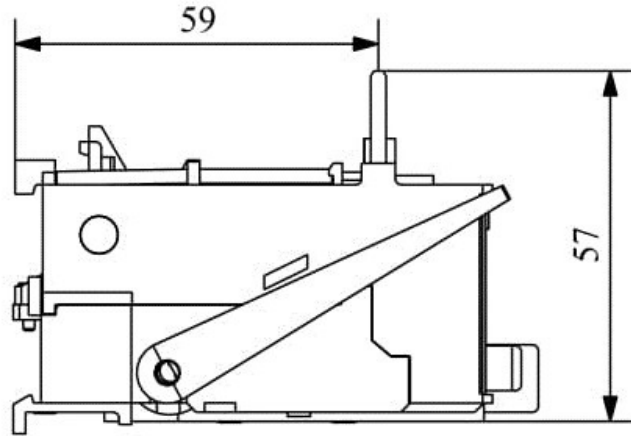
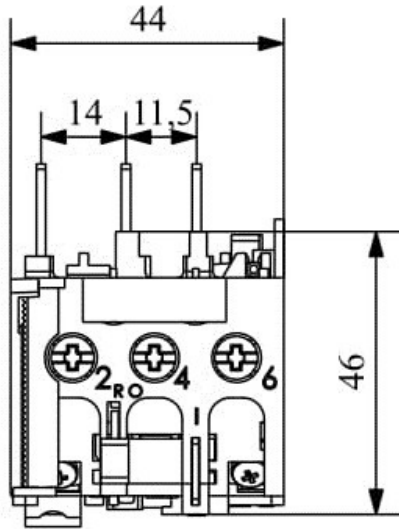


JA25N

Operational Frequency		50 - 60Hz
Product		Thermic Relay
Current	I_e	25A
Thermic Current		7,30-10,20A
Calibration Interval		
Usage Category		AC 3
Mechanical Life	Min Qty	100000
Electrical Life	Min Qty	100000
Operating Frequency	On-Off/Hour	Mech. 600 Elec. 600
Insulation Voltage	U_i	690V AC
Impulse Withstand Voltage	U_{imp}	6 kV
Dielectric Strength (Body-Contact)		1890V AC
Dielectric Strength (Contact-Contact)		1890V AC
Isolation Resistance		10 MΩ (500 V DC)
Operating Temperature		-5 / +40 °C
Pollution Degree		3
Protection Degree		IP20
Contact Material		AgNi
Cable Section		1,5 -2,5mm ²
Screw Torque		1,8Nm
Short Circuit Breaking Capacity	I_{cs}	50 kA
Serial		JA Series
Specifications		With single phase and three phase protection against overload
		Protection against phase failure
		Manual or automatic reset
Standards / Certificates		TS EN 60947-4-1





Elektrik Şeması

