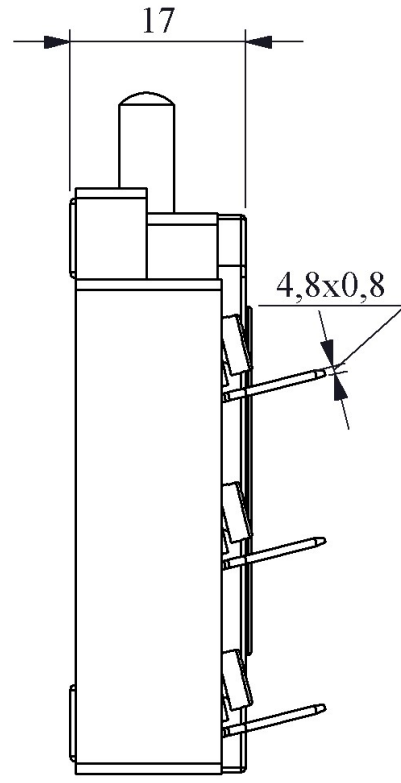
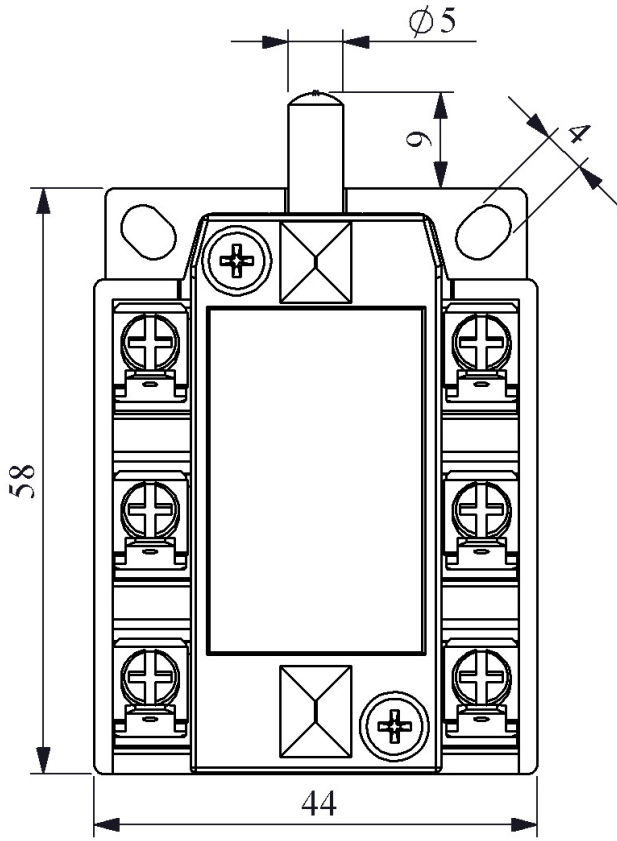



**K25001T**

Connection Type		with Terminal
Product		Cell Switch
Contact		1NO+2NC
Current	<b>I<sub>e</sub></b>	2 A (250V AC)
Usage Category		AC15
Mechanical Life	<b>Min Qty</b>	1000000
Electrical Life	<b>Min Qty</b>	100000
Operating Frequency	<b>On-Off/Hour</b>	Mech. 3000 Elec. 1200
Insulation Voltage	<b>U<sub>i</sub></b>	300 V
Impulse Withstand Voltage	<b>U<sub>imp</sub></b>	2.5 kV
Dielectric Strength (Body-Contact)		2.500V AC
Dielectric Strength (Contact-Contact)		1.500V AC
Isolation Resistance		10 MΩ min. (500V DC)
Operating Temperature		-25 / +80 °C
Pollution Degree		3
Protection Degree		IP20
Contact Material		AgNi
Cable Section		Terminal 6,3*0,8 mm
Short Circuit Breaking Capacity	<b>I<sub>cs</sub></b>	1 kA
Serial		K Series
Specifications	Maximum product reliability with Bacalite body	
Standards / Certificates	TS EN 60947-5-1	





Devre Şeması

