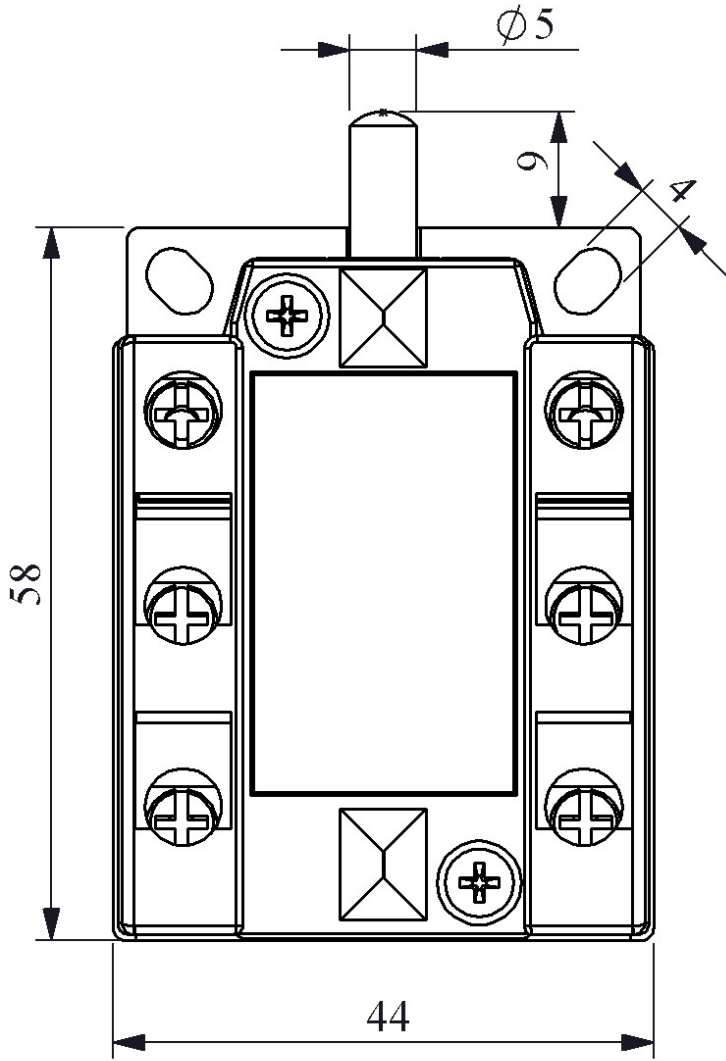



K25001V

Connection Type		with Screw
Product		Cell Switch
Contact		1NO+2NC
Current	I_e	2 A (250V AC)
Usage Category		AC15
Mechanical Life	Min Qty	1000000
Electrical Life	Min Qty	100000
Operating Frequency	On-Off/Hour	Mech. 3000 Elec. 1200
Insulation Voltage	U_i	300 V
Impulse Withstand Voltage	U_{imp}	2.5 kV
Dielectric Strength (Body-Contact)		2.500V AC
Dielectric Strength (Contact-Contact)		1.500V AC
Isolation Resistance		10 MΩ min. (500V DC)
Operating Temperature		-25 / +80 °C
Pollution Degree		3
Protection Degree		IP20
Contact Material		AgNi
Cable Section		1-2.5 mm ²
Screw Torque		1,5 Nm
Short Circuit Breaking Capacity	I_{cs}	1 kA
Serial		K Series
Specifications	Maximum product reliability with Bacalite body	
Standards / Certificates	TS EN 60947-5-1	





Devre Şeması

