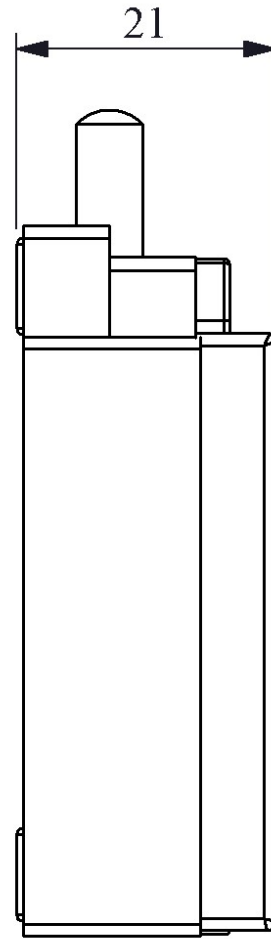
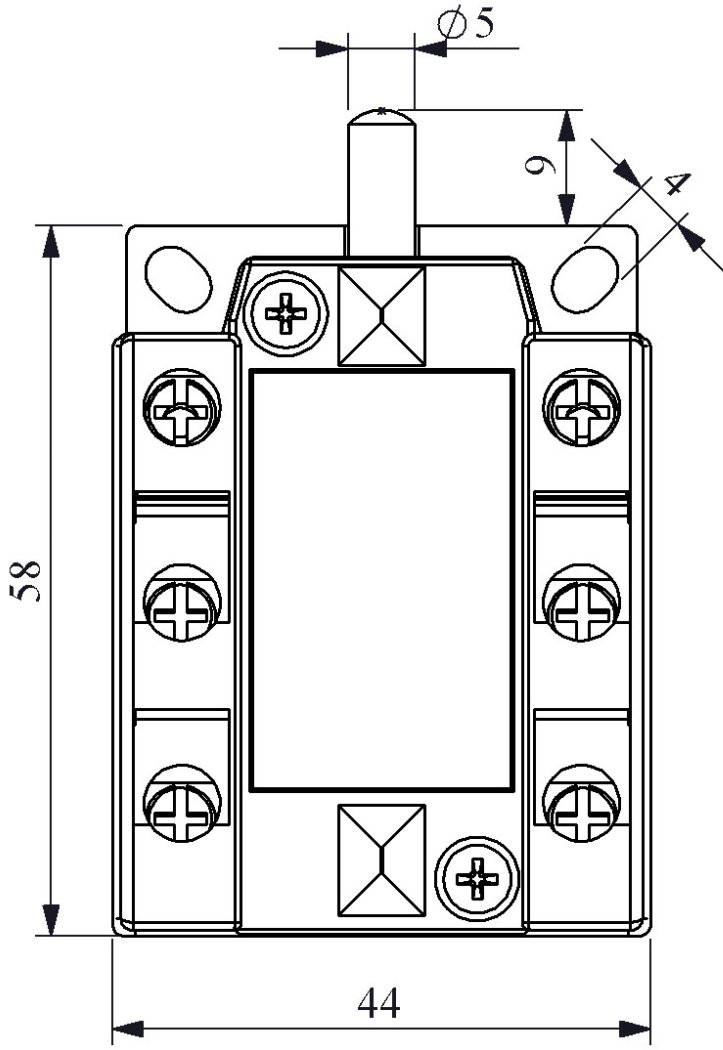




K25011V

Product	Cell Switch
Serial	K Series
Contact	2NO+1NC
Connection Type	with Screw
Current	I_e 2 A (250V AC)
Usage Category	AC15
Mechanical Life (Min Qty)	1000000
Electrical Life (Min Qty)	100000
Operating Frequency (On-Off/Hour)	Mech. 3000 Elec. 1200
Insulation Voltage (U _i)	300 V
Impulse Withstand Voltage (U _{imp})	2.5 kV
Dielectric Strength (Body-Contact)	2.500V AC
Dielectric Strength (Contact-Contact)	1.500V AC
Isolation Resistance	10 MΩ min. (500V DC)
Operating Temperature	-25 / +80 °C
Pollution Degree	3
Protection Degree	IP20
Contact Material	AgNi
Cable Section	1-2.5 mm ²
Screw Torque	1,5 Nm
	1 kA
Specifications	V0 material
Standards / Certificates	TS EN 60947-5-1





Devre Şeması

