

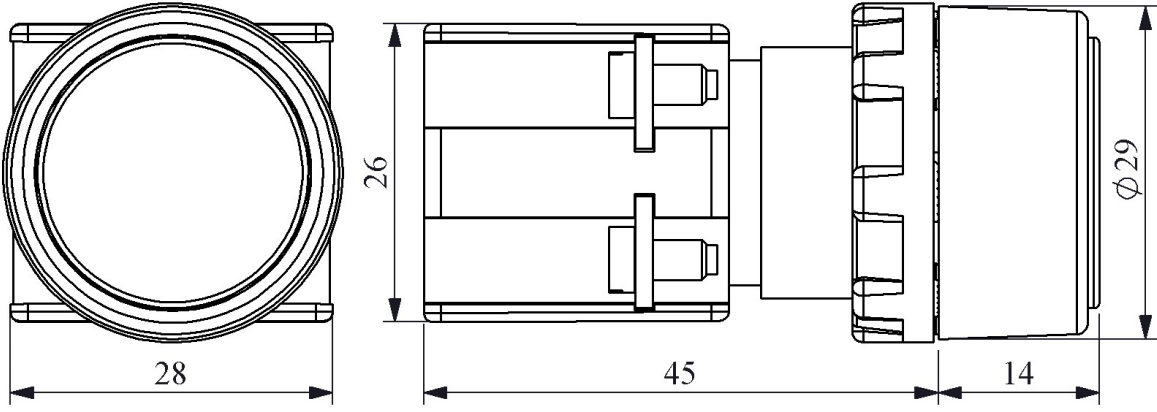

KB14DM

Product	Control Unit	
Model	Spring	
Type	Flush	
Contact	1NO+1NC	
Color	Blue	
Dia	22 mm	
Current	Ie	4 A (220V AC)
Usage Category	AC 15	
Mechanical Life	Min Qty	500000
Electrical Life	Min Qty	100000
Operating Frequency	On-Off/Hour	Mech. 3000 Elec. 1200
Insulation Voltage	Ui	300V
Impulse Withstand Voltage	Uimp	2.5 kV
Dielectric Strength (Body-Contact)	2.500V AC	
Dielectric Strength (Contact-Contact)	1.500V AC	
Isolation Resistance	10 MΩ min. (500V DC)	
Operating Temperature	-15 / + 80 °C	
Pollution Degree	3	
Protection Degree	IP50	
Contact Material	AgNi	
Cable Section	1.5-2.5 mm ²	
Screw Torque	1,5 Nm	
Short Circuit Breaking Capacity	Ics	1 kA
Production Time	31.12.1899 00:00:00	
Serial	KB Series Plastic	
Specifications	Non-flammable V0 PA6.6 contact blocks	
	Variety of products for all areas of application	
Standards / Certificates	IEC 60947-5-1 TS EN 60947-5-1	

CE



UK
PK



Montaj Ölçüsü $\Phi 22.4 \pm 0.2$ mm

Devre Şeması

