

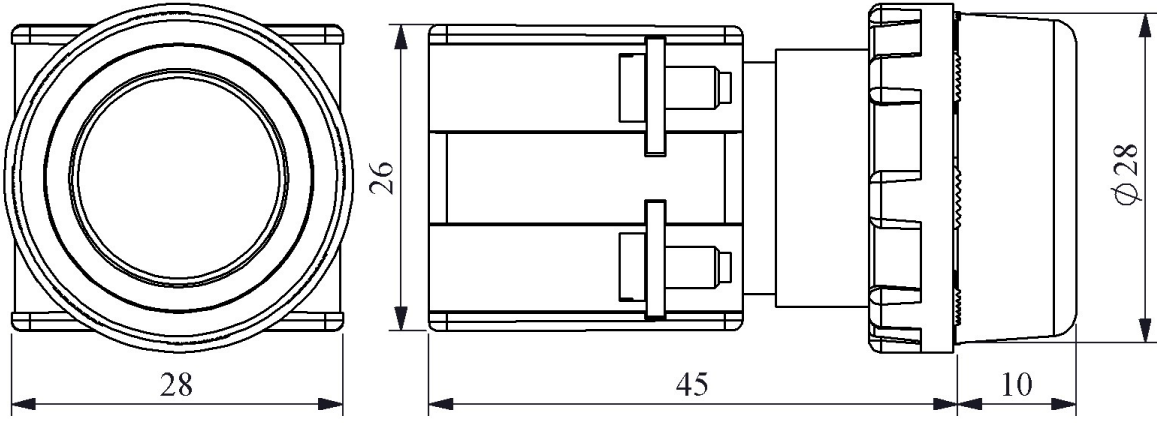


KB14RK	
Product	Control Unit
Model	Spring
Type	Flush
Contact	1NO+1NC
Color	Red
Dia	22 mm
Current	Ie 4 A (220V AC)
Usage Category	AC 15
Mechanical Life	Min Qty 500000
Electrical Life	Min Qty 100000
Operating Frequency	On-Off/Hour Mech. 3000 Elec. 1200
Insulation Voltage	Ui 300V
Impulse Withstand Voltage	Uimp 2.5 kV
Dielectric Strength (Body-Contact)	2.500V AC
Dielectric Strength (Contact-Contact)	1.500V AC
Isolation Resistance	10 MΩ min. (500V DC)
Operating Temperature	-15 / + 80 °C
Pollution Degree	3
Protection Degree	IP50
Contact Material	AgNi
Cable Section	1.5-2.5 mm ²
Screw Torque	1,5 Nm
Short Circuit Breaking Capacity	Ics 1 kA
Production Time	31.12.1899 00:00:00
Serial	KB Series Plastic
Specifications	Non-flammable V0 PA6.6 contact blocks
	Variety of products for all areas of application
Standards / Certificates	IEC 60947-5-1 TS EN 60947-5-1

CE



UK
PK



Montaj Ölçüsü $\phi 22.4 \pm 0.2$ mm

Devre Şeması

