

**L22M13PUM211**

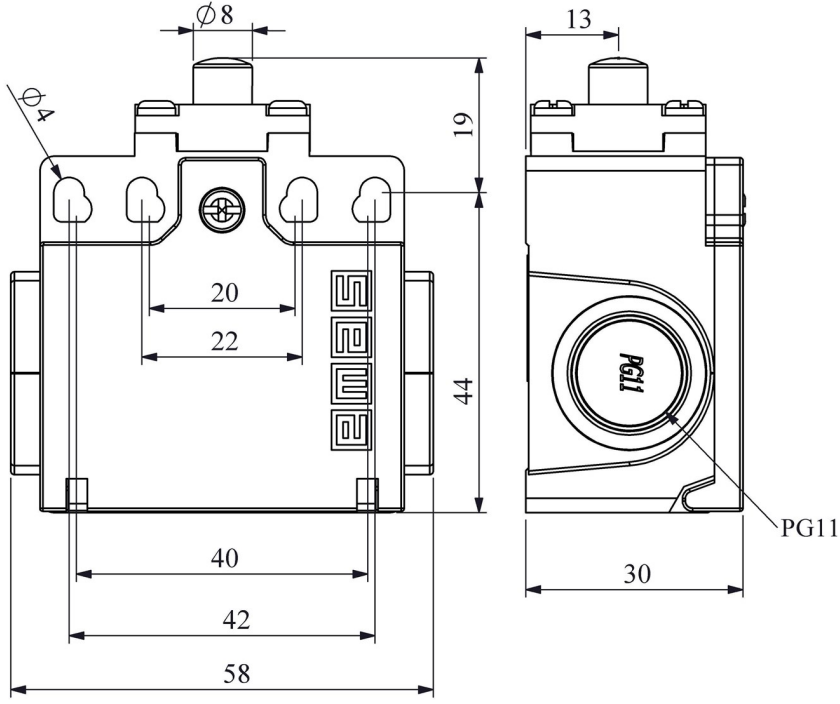
| | | |
|---------------------------------------|--------------------|----------------------------------------------|
| Product | | Limit Switch |
| Contact | | 1NO+1NC |
| Actuator | | Plunger |
| Actuator Dia | | 10 mm |
| Current | Ie | 3 A (240V AC) |
| Usage Category | | AC15 |
| Mechanical Life | Min Qty | 10000000 |
| Electrical Life | Min Qty | 1000000 |
| Operating Frequency | On-Off/Hour | Mech. 3000 Elec. 1800 |
| Insulation Voltage | Ui | 300V |
| Impulse Withstand Voltage | Uimp | 2.5 kV |
| Dielectric Strength (Body-Contact) | | 2.500V AC |
| Dielectric Strength (Contact-Contact) | | 1.500V AC |
| Isolation Resistance | | 10 MΩ (500 V DC) |
| Operating Temperature | | -25 / + 80 °C |
| Pollution Degree | | 3 |
| Protection Degree | | IP65 |
| Contact Material | | AgNi |
| Cable Section | | 1-2.5 mm ² |
| Screw Torque | | 1.5Nm |
| Short Circuit Breaking Capacity | Ics | 1 kA |
| Production Time | | 30.05.2022 00:00:00 |
| Serial | | L22 Plastic Body |
| Contact Action | | Snap Action |
| Actuator Material | | Metal |
| Specifications | | Plastic Body and Cover 2 side PG11 glands |

Various actuator options with wide sensitive contact block alternatives for all kind of applications

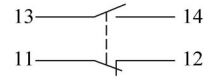
Standards / Certificates

TS EN 60947-5-1 UL 508 VDE 0660





Devre Şeması



Ani Hareketli

0 0,9 1,9 5,5



Akış Diyagramı