



L22M23SOM101

Product	Limit Switch
Serial	L22 Plastic Body
Actuator Dia	2 mm
Actuator Material	Metal Spike
Actuator	Spring Lever
Contact Action	Slow Action
Contact	1NO+1NC
Current (Ie)	3 A (240V AC)
Usage Category	AC15
Mechanical Life (Min Qty)	10000000
Electrical Life (Min Qty)	1000000
Operating Frequency (On-Off/Hour)	Mech. 3000 Elec. 1800
Insulation Voltage (Ui)	300V
Impulse Withstand Voltage (Uimp)	2.5 kV
Dielectric Strength (Body-Contact)	2.500V AC
Dielectric Strength (Contact-Contact)	1.500V AC
Isolation Resistance	10 MΩ (500 V DC)
Operating Temperature	-25 / + 80 °C
Pollution Degree	3
Protection Degree	IP65
Contact Material	AgNi
Cable Section	1-2.5 mm ²
Screw Torque	1.5Nm
	1 kA
Production Time	30.05.2022 00:00:00
Specifications	Plastic Body and Cover
	2 cable entries suitable for PG11 or M20x1.5 optional gland

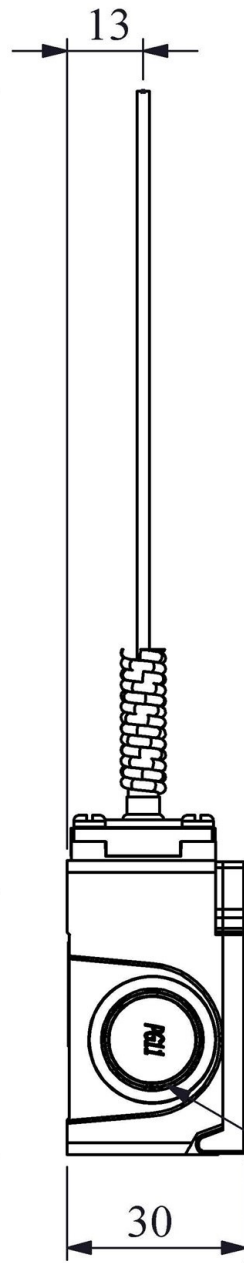
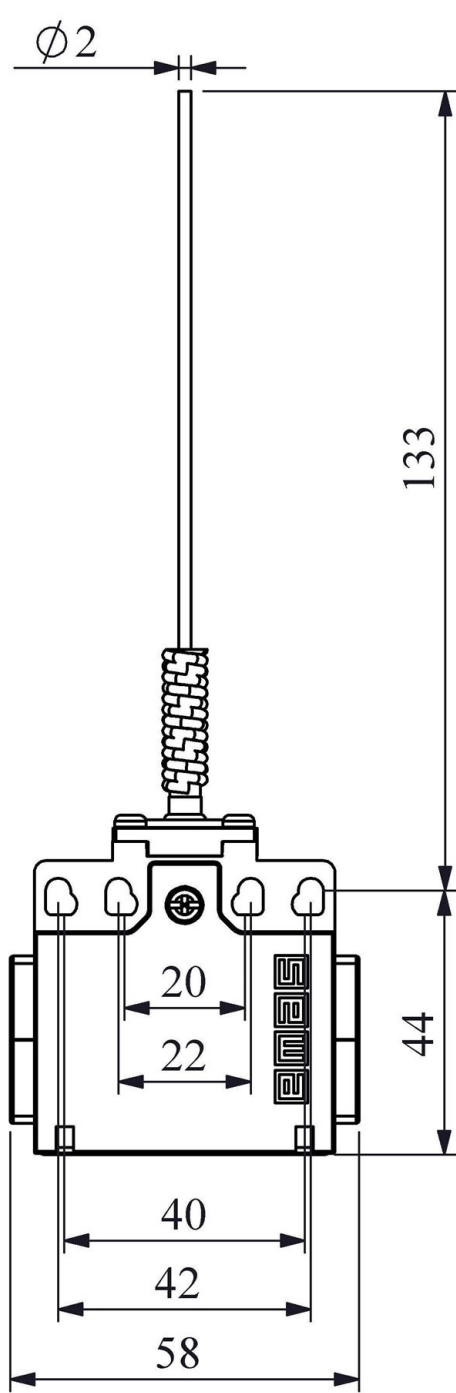
Changeable contact block

Different actuator options

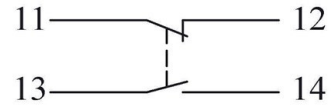
Standards / Certificates

TS EN 60947-5-1 UL 508 VDE 0660





Devre Şeması



Yavaş Hareketli

0° 16° 25° 45°



Akış Diyagramı

PG11